

SEND THE INQUIRY

+48 58 55 40 410

Standards:

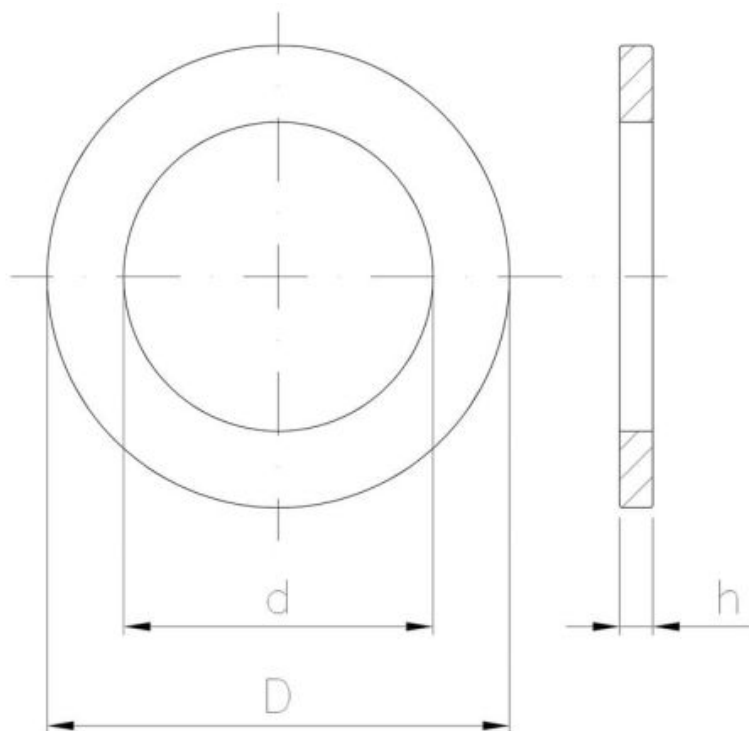
DIN 125
GOST 11379-68
ISO 7089, ISO 7091
PN-M 82005



Coating (standard):



Coating (special order):



Dimensions

| Material index | d [mm] | D [mm] | h [mm] | Type of coating | Measure unit |
|--------------------|--------|--------|--------|------------------------|--------------|
| 1401270500BD125S | 28 | 50 | 4.0 | B (White zinc coating) | PCS |
| 1401300560BD125S | 31 | 56 | 4.0 | B (White zinc coating) | PCS |
| 1401140280BD125T | 15 | 28 | 2.5 | B (White zinc coating) | THS. |
| 1401120240BD125T | 13 | 24 | 2.5 | B (White zinc coating) | THS. |
| 1401030070BD125T | 3.2 | 7 | 0.5 | B (White zinc coating) | THS. |
| 1401040090BD125T | 4.3 | 9 | 0.8 | B (White zinc coating) | THS. |
| 1401180340BD125AT | 19 | 34 | 3.0 | B (White zinc coating) | THS. |
| 1401100200B2HD125T | 10.5 | 20 | 2.0 | B (White zinc coating) | THS. |
| 1401060120BD125T | 6.4 | 12 | 1.6 | B (White zinc coating) | THS. |

| Material index | d [mm] | D [mm] | h [mm] | Type of coating | Measure unit |
|--------------------|--------|--------|--------|------------------------|--------------|
| 1401200370G2HD125T | 21 | 37 | 3.0 | G (HDG) | THS. |
| 1401240440G2HD125T | 25 | 44 | 4.0 | G (HDG) | THS. |
| 1401080160B2HD125T | 8.4 | 16 | 1.6 | B (White zinc coating) | THS. |
| 1401240440BD125T | 25 | 44 | 4.0 | B (White zinc coating) | THS. |
| 1401360660BD125T | 37 | 66 | 5.0 | B (White zinc coating) | THS. |
| 1401220390BD125T | 21 | 39 | 3.0 | B (White zinc coating) | THS. |
| 1401200370BD125T | 21 | 37 | 3.0 | B (White zinc coating) | THS. |
| 1401050100BD125T | 5.3 | 10 | 1.0 | B (White zinc coating) | THS. |
| 1401100200G2HD125T | 10.5 | 20 | 2.0 | G (HDG) | THS. |
| 1401240440B2HD126T | 25 | 44 | 4.0 | B (White zinc coating) | THS. |
| 1401060120G2HD125T | 6.4 | 12 | 1.6 | G (HDG) | THS. |
| 1401060120B2HD125T | 6.4 | 12 | 1.6 | B (White zinc coating) | THS. |
| 1401160300BD125T | 17 | 30 | 3.0 | B (White zinc coating) | THS. |
| 1401100200BD125T | 10.5 | 20 | 2.0 | B (White zinc coating) | THS. |
| 1401080160BD125T | 8.4 | 16 | 1.6 | B (White zinc coating) | THS. |
| 1401080160G2HD125T | 8.4 | 16 | 1.6 | G (HDG) | THS. |
| 1401160300G2HD125T | 17 | 30 | 3.0 | G (HDG) | THS. |
| 1401200370B2HD125T | 21 | 37 | 3.0 | B (White zinc coating) | THS. |
| 1401120240G2HD125T | 13 | 24 | 2.5 | G (HDG) | THS. |
| 1401270BD125K | 28 | 50 | 4.0 | B (White zinc coating) | KG |
| 1401240BD125K | 25 | 44 | 4.0 | B (White zinc coating) | KG |
| 1401300BD125K | 31 | 56 | 4.0 | B (White zinc coating) | KG |
| 1401050BD125K | 5.3 | 10 | 1.0 | B (White zinc coating) | KG |
| 1401060SD125K | 6.4 | 12 | 1.6 | B (White zinc coating) | KG |
| 1401330BD125K | 34 | 60 | 5.0 | B (White zinc coating) | KG |
| 1401160SD125K | 17 | 30 | 3.0 | B (White zinc coating) | KG |
| 1401220BD125K | 21 | 39 | 3.0 | B (White zinc coating) | KG |
| 1401030BD125K | 3.2 | 7 | 0.5 | B (White zinc coating) | KG |
| 1401180BD125K | 19 | 34 | 3.0 | B (White zinc coating) | KG |
| 1401200BD125K | 21 | 37 | 3.0 | B (White zinc coating) | KG |
| 1401040BD125K | 4.3 | 9 | 0.8 | B (White zinc coating) | KG |
| 1401100SD125K | 10.5 | 20 | 2.0 | S (raw product) | KG |
| 1401080SD125K | 8.4 | 16 | 1.6 | S (raw product) | KG |
| 1401140BD125K | 15 | 28 | 2.5 | B (White zinc coating) | KG |
| 1401200SD125K | 21 | 37 | 3.0 | B (White zinc coating) | KG |
| 1401360BD125K | 37 | 66 | 5.0 | B (White zinc coating) | KG |
| 1401100BD125K | 10.5 | 20 | 2.0 | B (White zinc coating) | KG |
| 1401120BD125K | 13 | 24 | 2.5 | B (White zinc coating) | KG |
| 1401160BD125K | 17 | 30 | 3.0 | B (White zinc coating) | KG |

| Material index | d [mm] | D [mm] | h [mm] | Type of coating | Measure unit |
|-----------------------|---------------|---------------|---------------|------------------------|---------------------|
| 1401060BD125K | 6.4 | 12 | 1.6 | B (White zinc coating) | KG |
| 1401080BD125K | 8.4 | 16 | 1,6 | B (White zinc coating) | KG |