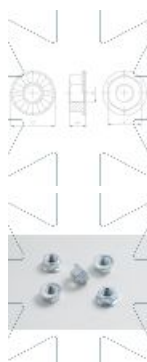
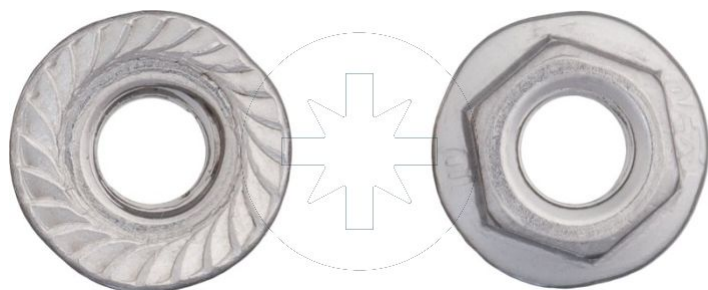


SEND THE INQUIRY

+48 58 55 40 410

## Standards:

DIN 6923~  
-ISO 1661



Coating (standard):

**B**

WHITE  
ZINC  
COATING

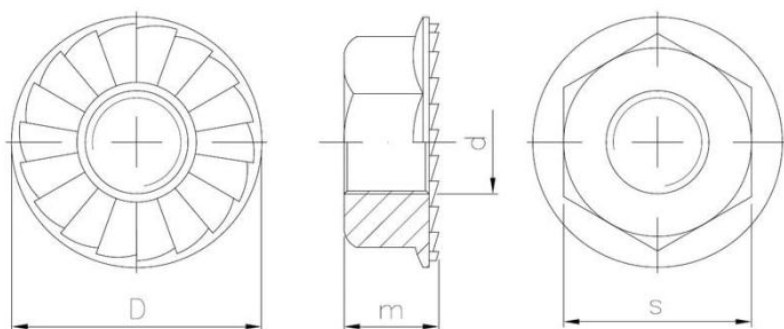
Coating (special order):

**A**

YELLOW  
ZINC  
COATING

**C**

BLACK  
ZINC  
COATING



## Dimensions

Material index	d	D [mm]	m [mm]	s [mm]	Type of coating	Measure unit
1506050BT	M5	11.8	5.0	8.0	B (White zinc coating)	THS.
1506080BT	M8	17.9	8.0	13.0	B (White zinc coating)	THS.
1506100BT	M10	21.8	10.0	15.0	B (White zinc coating)	THS.
1506030BT	M3	8.0	4.0	5.5	B (White zinc coating)	THS.
1506120BT	M12	26.8	12.0	18.0	B (White zinc coating)	THS.
1506040BT	M4	9.8	4.5	7.0	B (White zinc coating)	THS.
1506060BT	M6	14.2	6.0	10.0	B (White zinc coating)	THS.
1506160B08T	M16	34.5	16.0	24.0	B (White zinc coating)	THS.
1506160BS	M16	34.5	16.0	24.0	B (White zinc coating)	PCS.
1506060BK	M6	14.2	6.0	10.0	B (White zinc coating)	KG
1506080BK	M8	17.9	8.0	13.0	B (White zinc coating)	KG