

SEND THE INQUIRY

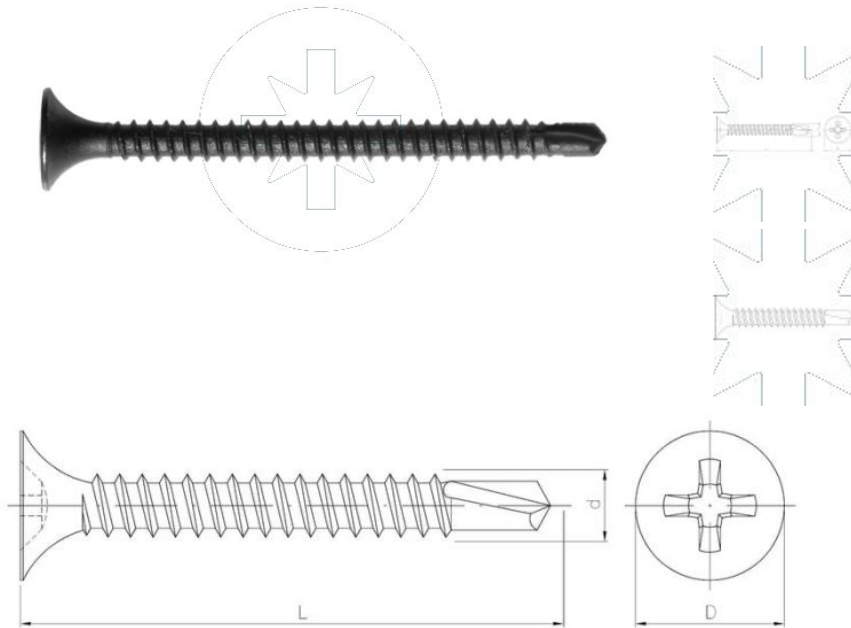
+48 58 55 40 410

Standards:

PN-EN 14566



Coating (standard):



Dimensions

Material index	d [mm]	L [mm]	D [mm]	Recess	Type of coating	Measure unit
5103035045PHFT	3.5	45	8.6	PH	F (Phosphated)	THS.
5103035025PHFT	3.5	25	8.6	PH	F (Phosphated)	THS.
5103035035PHFT	3.5	35	8.6	PH	F (Phosphated)	THS.
5103035045PHF1QO	3.5	45	8.6	PH	F (Phosphated)	BOX
5103035025PHF1QO	3.5	25	8.6	PH	F (Phosphated)	BOX
5103035035PHF1QO	3.5	35	8.6	PH	F (Phosphated)	BOX
5103035045PHFK	3.5	45	8.6	PH	F (Phosphated)	KG
5103035025PHFK	3.5	25	8.6	PH	F (Phosphated)	KG
5103035035PHFK	3.5	35	8.6	PH	F (Phosphated)	KG