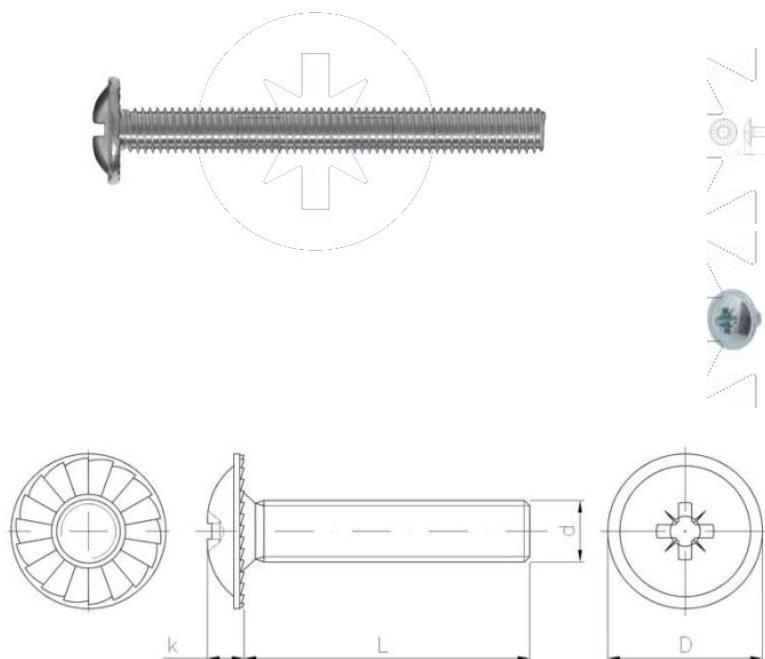


SEND THE INQUIRY

+48 58 55 40 410

Standards:

DIN 967



Class (standard):

4.8

Coating (standard):

B

WHITE
ZINC
COATING

Coating (special order):

A

YELLOW
ZINC
COATING

N

NICKEL
COATING

Dimensions

Material index	d	L [mm]	D [mm]	k [mm]	Recess	Mechanical properties class	Type of coating
1305050010PKBT	M5	10	12.0	3.1	PK	4.8	B (White zinc coating)
1305040005PZBT	M4	5	10.0	2.6	PZ	4.8	B (White zinc coating)
1305060020PKCT	M6	20	14.0	3.5	PK	4.8	C (black zinc coating)
1305060025PKCT	M6	25	14.0	3.5	PK	4.8	C (black zinc coating)
1305060016PKCT	M6	16	14.0	3.5	PK	4.8	C (black zinc coating)
1305060030PKCT	M6	30	14.0	3.5	PK	4.8	C (black zinc coating)