

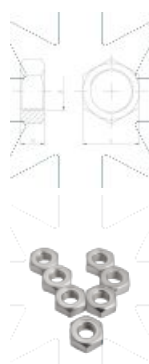
15.27 Fine thread hexagon nuts

SEND THE INQUIRY

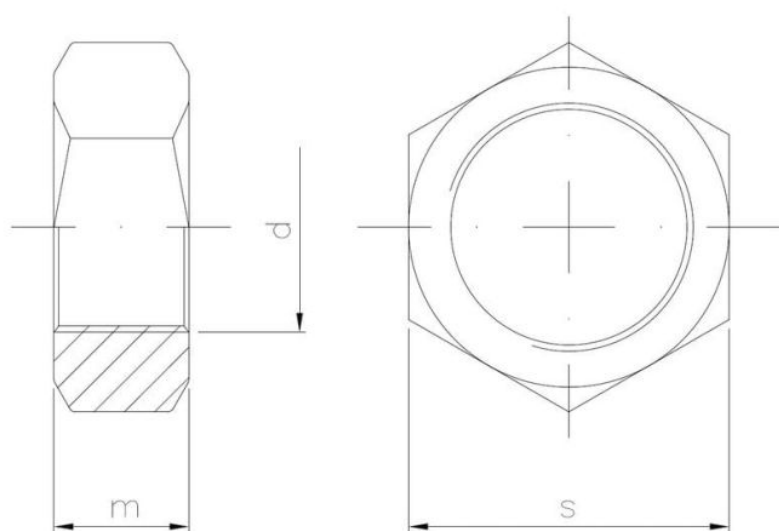
+48 58 55 40 410

Standards:

DIN 934~



Coating (standard):



Dimensions

Material index	d	m [mm]	s [mm]	Mechanical properties class	Type of coating	Measure unit
1527200150B08D934K	M20	16.0	30.0	8	B (White zinc coating)	KG
1527200150S10D934S	M20	16.0	30.0	10	S (raw product)	PCS.
1527120125S10D934S	M12	10.0	19.0	10	S (raw product)	PCS.
1527160150S10D934S	M16	13.0	24.0	10	S (raw product)	PCS.
1527100125S10D934S	M10	8.0	17.0	10	S (raw product)	PCS.
1527140150S10D934S	M14	11.0	22.0	10	S (raw product)	PCS.