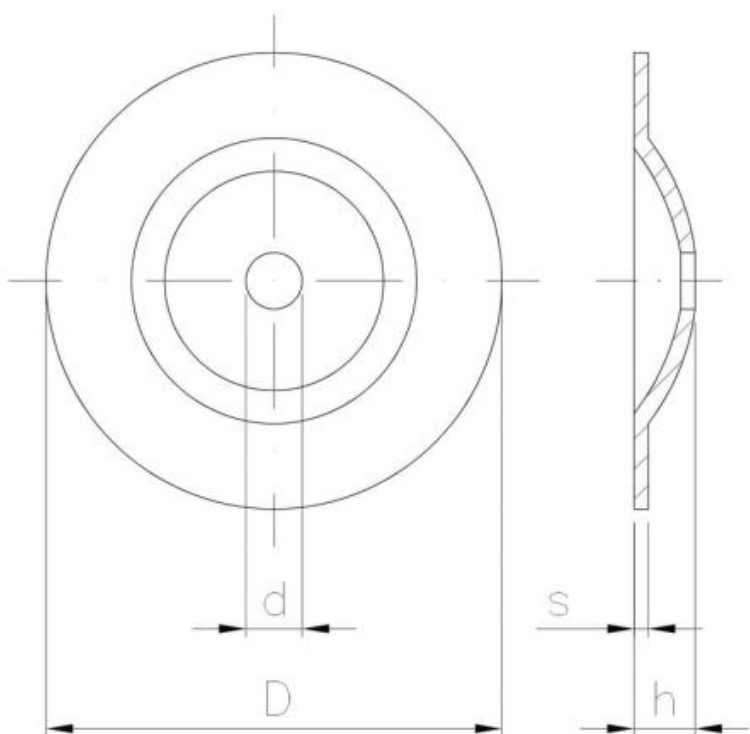


Coating (standard):



SEND THE INQUIRY
+48 58 55 40 410

B
WHITE
ZINC
COATING



Dimensions

Material index	d [mm]	D [mm]	h [mm]	s [mm]	Type of coating	Measure unit
1408040280BK	3.3	28	3.0	1.0	B (White zinc coating)	KG
1408040280BWO	3.3	28	3.0	1.0	B (White zinc coating)	BOX