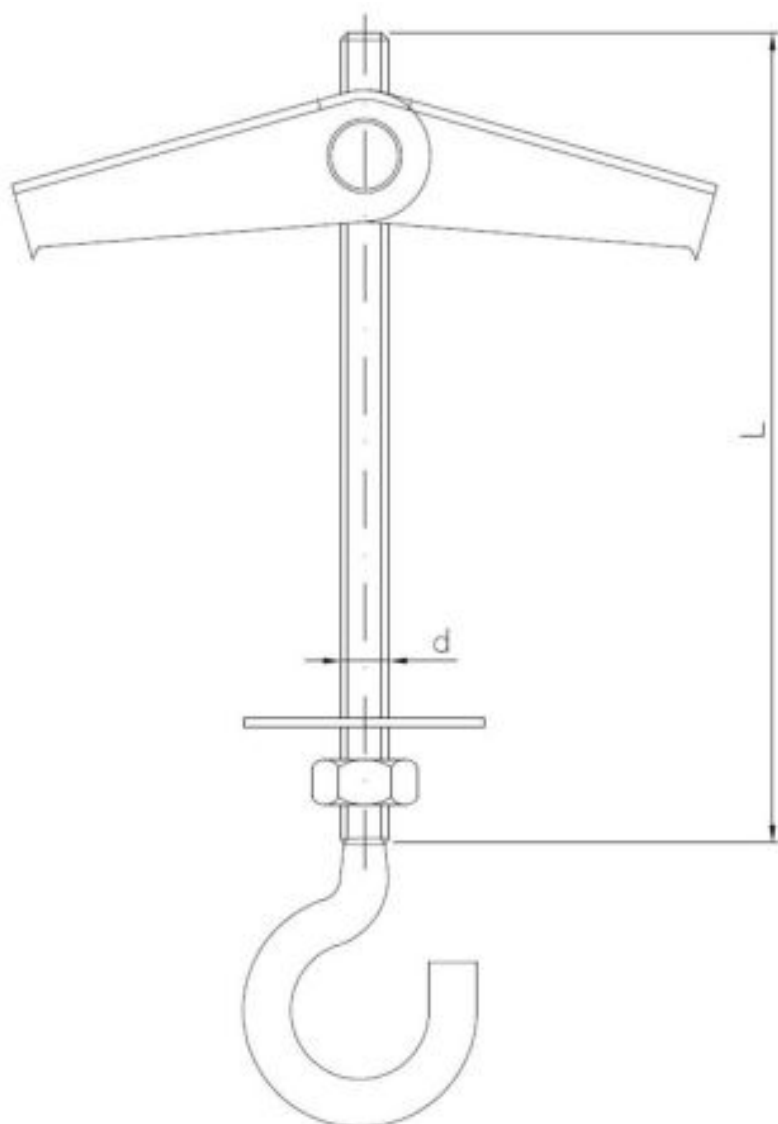


Coating (standard):



WHITE
ZINC
COATING



Dimensions

Material index	d	L [mm]	Type of coating
5112040070BS	M4	70	B (White zinc coating)