

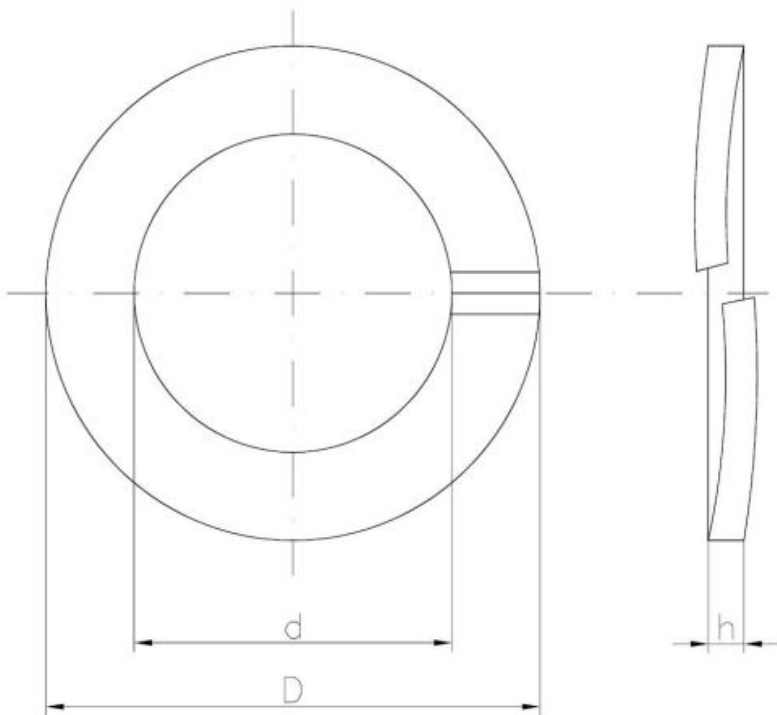
Standards:

DIN 127B
GOST 11379-68
PN-M 82008

A2

A4

Material:



Dimensions

Material index	d [mm]	D [mm]	h [mm]	Materials
I1404080A4T	8.1	14.8	2.0	A4 (acids resistant steel)
I1404060A4T	6.1	11.8	1.6	A4 (acids resistant steel)
I1404120A4D127T	12.2	21.1	2.5	A4 (acids resistant steel)
I1404050A4D127T	5.1	9.2	1.2	A4 (acids resistant steel)
I1404100A4D127T	10.2	18.1	2.2	A4 (acids resistant steel)
I1404060A2D127T	6.1	11.8	1.6	A2 (stainless steel)
I1404200A2D127T	20.2	33.6	4.0	A2 (stainless steel)
I1404080A2D127T	8.1	14.8	2.0	A2 (stainless steel)
I1404040A2D127T	4.1	7.6	0.8	A2 (stainless steel)
I1404160A4D127T	16.2	27.4	3.5	A2 (stainless steel)
I1404120A2D127T	12.2	21.1	2.5	A2 (stainless steel)

Material index	d [mm]	D [mm]	h [mm]	Materials
I1404050A2D127T	5.1	9.2	1.2	A2 (stainless steel)
I1404100A2D127T	10.2	18.1	2.2	A2 (stainless steel)
I1404160A2D127T	16.2	27.4	3.5	A2 (stainless steel)