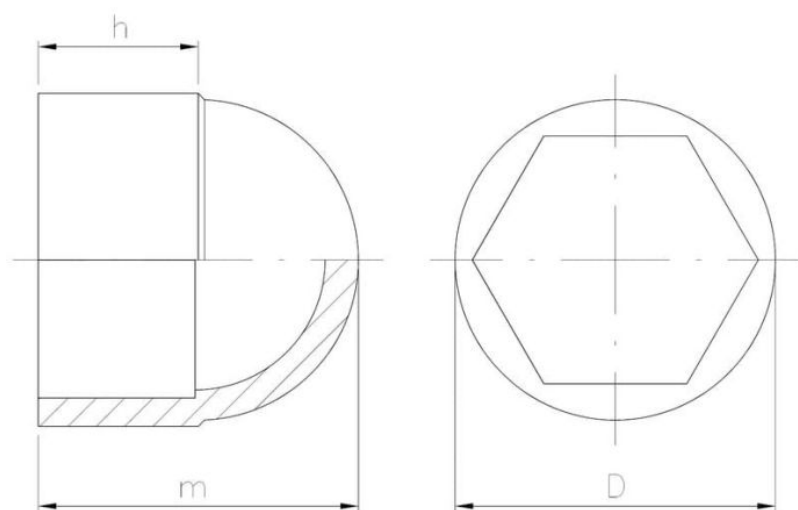


SEND THE INQUIRY
+48 58 55 40 410



Dimensions

Material index	D [mm]	m [mm]	h [mm]	Colour	Materials
3508100S17CZAT	10	19.5	9.4	Black	PE (polyethylene)
3508080S13BRAZT	8	16.5	8.4	Brown	PE (polyethylene)
3508100S17BRAT	10	19.5	9.4	Brown	PE (polyethylene)
3508120S17BRAT	12	21.5	11.1	Brown	PE (polyethylene)
3508160BIAT	16	26.9	13.7	White	PE (polyethylene)
3508100S17SZAT	10	19.5	9.4	Grey	PE (polyethylene)
3508060S13BRAZT	6	12.5	5.7	Brown	PE (polyethylene)
3508060S10CZAT	6	12.5	5.7	Black	PE (polyethylene)
3508160SZAT	16	26.9	13.7	Grey	PE (polyethylene)
3508080S13CZAT	8	16.5	8.4	Black	PE (polyethylene)
3508050S08SZAT	5	8.3	3.5	Grey	PE (polyethylene)
3508050S08BIAT	5	8.3	3.5	White	PE (polyethylene)
3508120S19BIAT	12	21.5	11.1	White	PE (polyethylene)
3508120S19SZAT	12	21.5	11.1	Grey	PE (polyethylene)
3508120S19CZAT	12	21.5	11.1	Black	PE (polyethylene)

Material index	D [mm]	m [mm]	h [mm]	Colour	Materials
3508080S13BIAT	8	16.5	8.4	White	PE (polyethylene)
3508050S08CZAT	5	8.3	3.5	Black	PE (polyethylene)
3508080S13SZAT	8	16.5	8.4	Grey	PE (polyethylene)
3508060S10BIAT	6	12.5	5.7	White	PE (polyethylene)
3508100S17BIAT	10	19.5	9.4	White	PE (polyethylene)
3508160CZAT	16	26.9	13.7	Black	PE (polyethylene)
3508060S10SZAT	6	12.5	5.7	Grey	PE (polyethylene)
3508060S10BRAT	6	12.5	5.7	Brown	PE (polyethylene)