

52.30
MPZ
02

MPZ 02 self-drilling screw

SEND THE INQUIRY

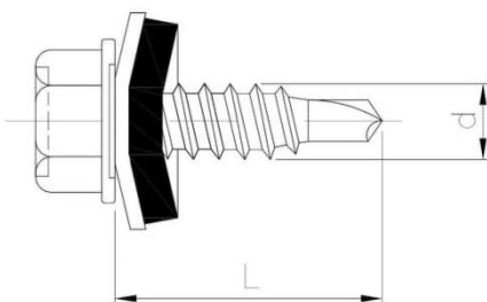
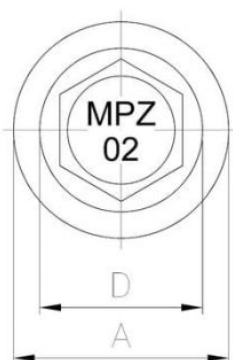
+48 58 55 40 410

Standards:

ETA-18/0371



Coating (standard):



Dimensions

Material index	d [mm]	L [mm]	D [mm]	A [mm]	Type of coating	RAL
5230048020S14B910T	4.8	20	10.5	14	B (White zinc coating)	9010
5230048020S14B907T	4.8	20	10.5	14	B (White zinc coating)	9007
5230048020S14B906T	4.8	20	10.5	14	B (White zinc coating)	9006
5230048020S14B905T	4.8	20	10.5	14	B (White zinc coating)	9005
5230048020S14B735T	4.8	20	10.5	14	B (White zinc coating)	7035
5230048020S14B724T	4.8	20	10.5	14	B (White zinc coating)	7024
5230048020S14B716T	4.8	20	10.5	14	B (White zinc coating)	7016
5230048020S14B700T	4.8	20	10.5	14	B (White zinc coating)	7000
5230048020S14B503T	4.8	20	10.5	14	B (White zinc coating)	5003
5230048020BT	4.8	20	10.5	-	B (White zinc coating)	
5230048020S14BT	4.8	20	10.5	14	B (White zinc coating)	