

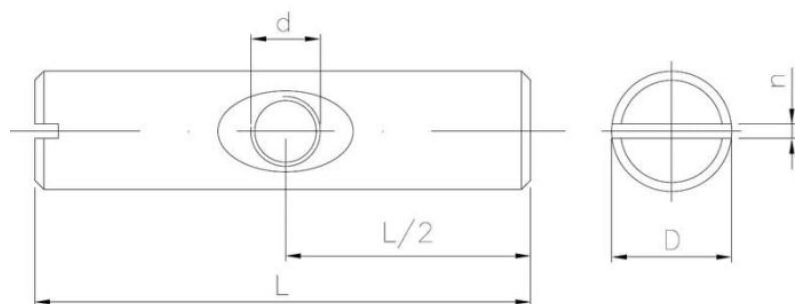
SEND THE INQUIRY
+48 58 55 40 410



Coating (standard):



Coating (special order):



Dimensions

| Material index | d | L [mm] | D [mm] | n [mm] | Type of coating |
|----------------|----|--------|--------|--------|-----------------------------|
| 1519100016AT | M6 | 16 | 10 | 1.6 | CR (silver ceramic coating) |
| 1519100013AT | M6 | 13 | 10 | 1.6 | CR (silver ceramic coating) |
| 1519100030BT | M6 | 30 | 10 | 1.6 | B (White zinc coating) |
| 1519120018BS | M8 | 18 | 12 | 1.6 | B (White zinc coating) |
| 1519120060BT | M8 | 60 | 12 | 1.6 | B (White zinc coating) |
| 1519120030BT | M8 | 30 | 12 | 1.6 | B (White zinc coating) |
| 1519100013BT | M6 | 13 | 10 | 1.6 | B (White zinc coating) |
| 1519100020BT | M6 | 20 | 10 | 1.6 | B (White zinc coating) |
| 1519100016BT | M6 | 16 | 10 | 1.6 | B (White zinc coating) |
| 1519100022BT | M6 | 22 | 10 | 1.6 | B (White zinc coating) |