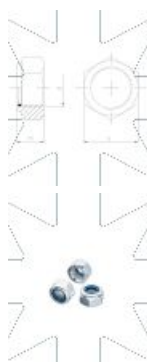


SEND THE INQUIRY

+48 58 55 40 410

Standards:

DIN 985, DIN 982
ISO 7040, ISO 10511
PN-M 82175



Class (standard):

6 **8** **10**

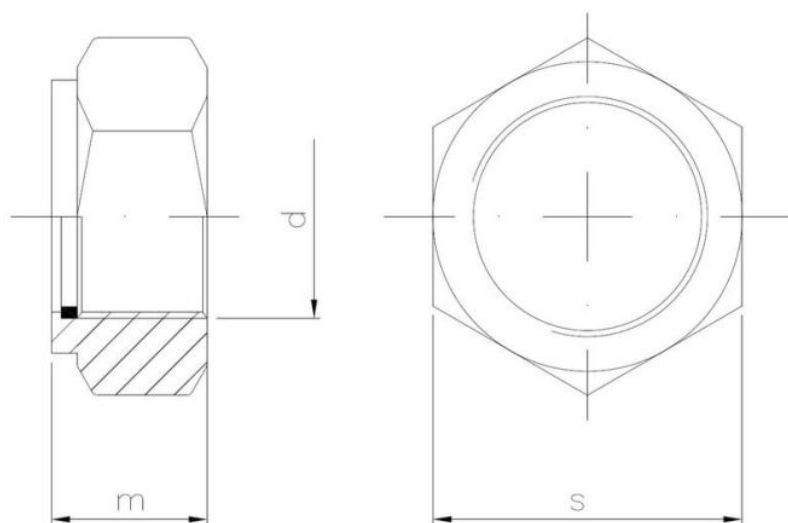
Coating (standard):

B
WHITE
ZINC
COATING

Coating (special order):

A
YELLOW
ZINC
COATING

C
BLACK
ZINC
COATING



Dimensions

Material index	Norma DIN	d	m [mm]	s [mm]	Mechanical properties class	Type of coating	Measure unit
1504200BD982S	DIN 982	M20	22	30.0	6	B (White zinc coating)	PCS.
1504080B08D985T	DIN 985	M8	8	13.0	8	B (White zinc coating)	THS.
1504040BD985T	DIN 985	M4	5	7.0	6	B (White zinc coating)	THS.
1504240BD985T	DIN 985	M24	24	36.0	6	B (White zinc coating)	THS.
1504140BD985T	DIN 985	M14	14	22.0	6	B (White zinc coating)	THS.
1504100BD985T	DIN 985	M10	10	17.0	6	B (White zinc coating)	THS.
1504120BD985T	DIN 985	M12	12	19.0	6	B (White zinc coating)	THS.
1504080BD985T	DIN 985	M8	8	13.0	6	B (White zinc coating)	THS.
1504200B10D985S	DIN 985	M20	20	30.0	10	B (White zinc coating)	PCS.
1504100BD982T	DIN 982	M10	11.5	17.0	6	B (White zinc coating)	THS.
1504240BD985K	DIN 985	M24	24	36.0	6	B (White zinc coating)	KG
1504160B08D985T	DIN 985	M16	16	24.0	8	B (White zinc coating)	THS.
1504200BD985T	DIN 985	M20	20	30.0	6	B (White zinc coating)	THS.
1504060BD985T	DIN 985	M6	6	10.0	6	B (White zinc coating)	THS.

Material index	Norma DIN	d	m [mm]	s [mm]	Mechanical properties class	Type of coating	Measure unit
1504120B10D985T	DIN 985	M12	12	19.0	10	B (White zinc coating)	THS.
1504060B08D982T	DIN 982	M6	8	10.0	8	B (White zinc coating)	THS.
1504240B08D985T	DIN 985	M24	24	36.0	8	B (White zinc coating)	THS.
1504060B08D985T	DIN 985	M6	6	10.0	8	B (White zinc coating)	THS.
1504120B08D982T	DIN 982	M12	14	19.0	8	B (White zinc coating)	THS.
1504080B08D982T	DIN 982	M8	9.5	13.0	8	B (White zinc coating)	THS.
1504030BD985T	DIN 985	M3	4	5.5	6	B (White zinc coating)	THS.
1504160B08D982T	DIN 982	M16	18	24.0	8	B (White zinc coating)	THS.
1504160BD985K	DIN 985	M16	16	24.0	6	B (White zinc coating)	KG
1504050BD985K	DIN 985	M5	5	8.0	6	B (White zinc coating)	KG
1504080BD982T	DIN 982	M8	9.5	13.0	6	B (White zinc coating)	THS.
1504160BD985T	DIN 985	M16	16	24.0	6	B (White zinc coating)	THS.
1504140B08D985T	DIN 985	M14	14	22.0	8	B (White zinc coating)	THS.
1504140BD985K	DIN 985	M14	14	22.0	6	B (White zinc coating)	KG
1504060BD985K	DIN 985	M6	6	10.0	6	B (White zinc coating)	KG
1504120B08D985T	DIN 985	M12	12	19.0	8	B (White zinc coating)	THS.
1504120BD982T	DIN 982	M12	14	19.0	6	B (White zinc coating)	THS.
1504050BD985T	DIN 985	M5	5	8.0	6	B (White zinc coating)	THS.
1504100B08D982T	DIN 982	M10	11.5	17.0	8	B (White zinc coating)	THS.
1504100B08D985T	DIN 985	M10	10	17.0	8	B (White zinc coating)	THS.
1504200B08D985T	DIN 985	M20	20	30.0	8	B (White zinc coating)	THS.
1504200BD985K	DIN 985	M20	20	30.0	6	B (White zinc coating)	KG
1504180B08D985T	DIN 985	M18	18.5	27.0	8	B (White zinc coating)	THS.
1504220BD985S	DIN 985	M22	22	32.0	6	B (White zinc coating)	PCS.
1504180BD985T	DIN 985	M18	18.5	27.0	6	B (White zinc coating)	THS.
1504100BD985K	DIN 985	M10	10	17.0	6	B (White zinc coating)	KG
1504120BD985K	DIN 985	M12	12	19.0	6	B (White zinc coating)	KG
1504080BD985K	DIN 985	M8	8	13.0	6	B (White zinc coating)	KG