

15.28  
N6N  
DZ

# Fine thread thin hexagon nut



Coating (standard):

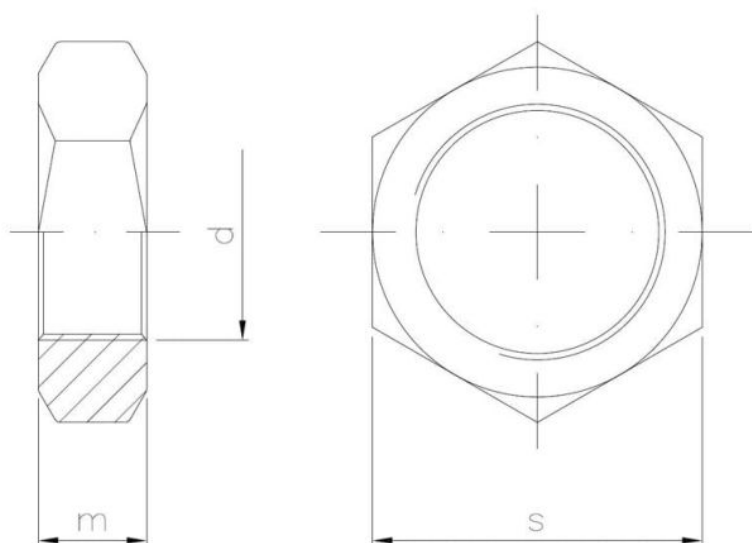
SEND THE INQUIRY

+48 58 55 40 410

**Standards:**

DIN 439~

**B**  
WHITE  
ZINC  
COATING



## Dimensions

| Material index   | d   | m [mm] | s [mm] | Type of coating        |
|------------------|-----|--------|--------|------------------------|
| 1528160150BD439T | M16 | 16.0   | 24.0   | B (White zinc coating) |
| 1528100100BD439T | M10 | 10.0   | 17.0   | B (White zinc coating) |