

23.13
BWz

Serrated pan head sheet metal screw

SEND THE INQUIRY

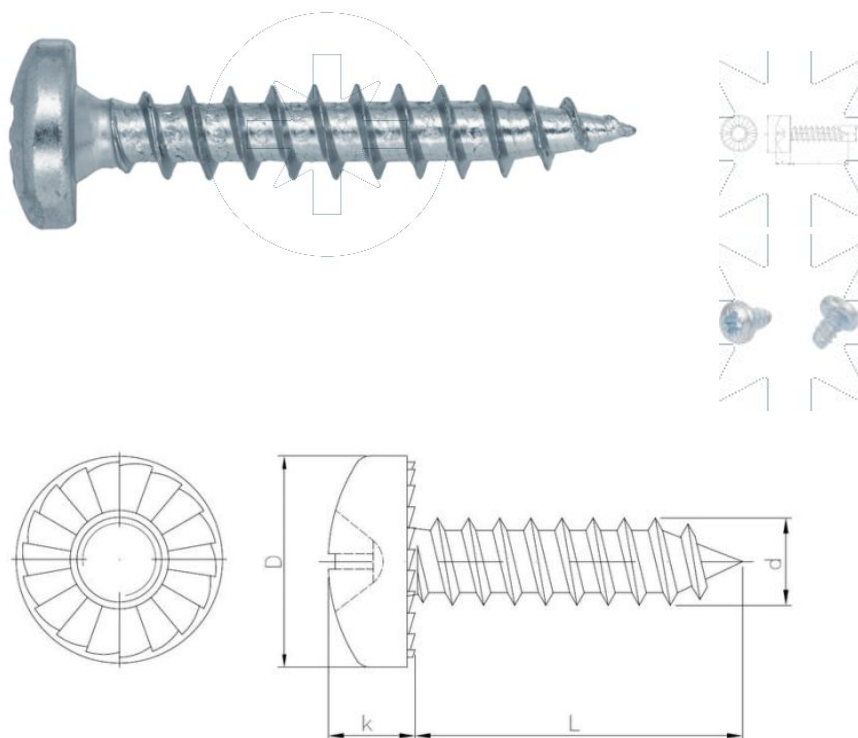
+48 58 55 40 410

Standards:

DIN 7981~
PN-M 83116

Coating (standard):

B
WHITE
ZINC
COATING



Dimensions

Material index	d [mm]	L [mm]	D [mm]	k [mm]	Recess	Type of coating
23130390065PZBVT	3.9	65	6.9	2.7	PZ	B (White zinc coating)
23130420095PHBVT	3.9	95	6.9	2.7	PH	B (White zinc coating)