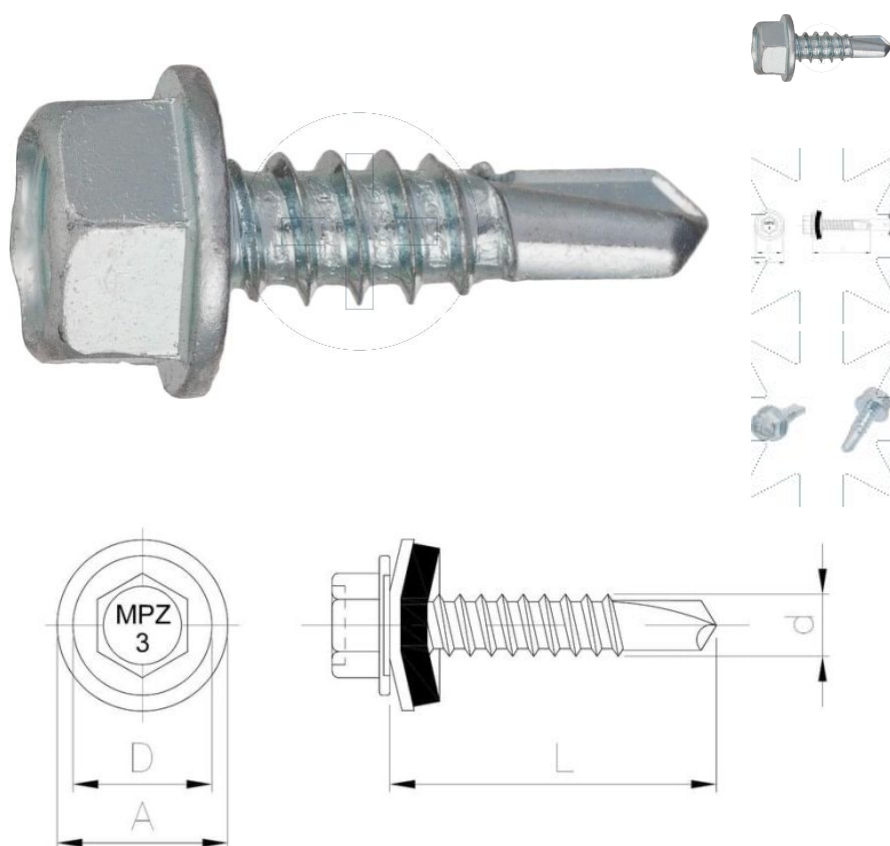


**52.34**  
**MPZ**  
**3**

# MPZ 3 self-drilling screw (zinc plating)



SEND THE INQUIRY

+48 58 55 40 410

**Standards:**

ETA-18/0371



## Dimensions

Material index	d [mm]	L [mm]	D [mm]	A [mm]	RAL	Type of coating
52340048035S14BT	4.8	35	10.5	14		B (White zinc coating)
52340048022S14BT	4.8	22	10.5	14		B (White zinc coating)
52340048025S14BT	4.8	25	10.5	14		B (White zinc coating)
52340048055S14BT	4.8	55	10.5	14		B (White zinc coating)
52340048019S14BT	4.8	19	10.5	14		B (White zinc coating)
52340048016S14BT	4.8	16	10.5	14		B (White zinc coating)
52340048032S14BT	4.8	32	10.5	14		B (White zinc coating)
52340048045S14BT	4.8	45	10.5	14		B (White zinc coating)
5234048025S14B910T	4.8	25	10.5	14	9010	B (White zinc coating)
5234048022S14B716T	4.8	22	10.5	14	7016	B (White zinc coating)
5234048025S14B716T	4.8	25	10.5	14	7016	B (White zinc coating)
5234048025S14B906T	4.8	25	10.5	14	9006	B (White zinc coating)
5234048022S14B906T	4.8	22	10.5	14	9006	B (White zinc coating)
5234048025S14B735T	4.8	25	10.5	14	7035	B (White zinc coating)
5234048022S14B910T	4.8	22	10.5	14	9010	B (White zinc coating)
52340048032BT	4.8	32	10.5	-		B (White zinc coating)
52340048025BT	4.8	25	10.5	-		B (White zinc coating)

<b>Material index</b>	<b>d [mm]</b>	<b>L [mm]</b>	<b>D [mm]</b>	<b>A [mm]</b>	<b>RAL</b>	<b>Type of coating</b>
52340048019BT	4.8	19	10.5	-		B (White zinc coating)
52340048035BT	4.8	35	10.5	-		B (White zinc coating)
52340048045BT	4.8	45	10.5	-		B (White zinc coating)
52340048055BT	4.8	55	10.5	-		B (White zinc coating)
52340048022BT	4.8	22	10.5	-		B (White zinc coating)
52340048016BT	4.8	16	10.5	-		B (White zinc coating)