

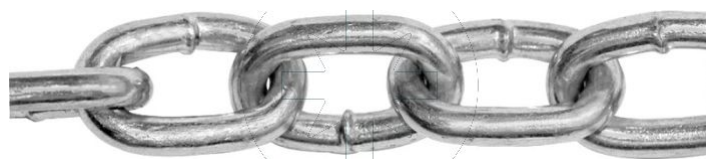
63.05 Technical steel chain

SEND THE INQUIRY

+48 58 55 40 410

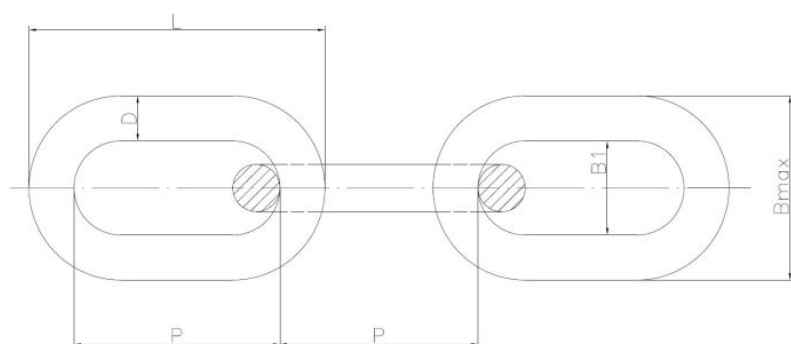
Standards:

DIN 766~,DIN 5685-A~



Coating (standard):

B
WHITE
ZINC
COATING



Dimensions

Material index	D [mm]	L [mm]	P [mm]	B1 [mm]	Bmax [mm]	Obciążenie znamionowe [kg]	Obciążenie zrywające [kg]
63050200C5685M	2.0	16.0	12.0	2.5	7.5	20	80
63050150C5685M	1.5	15.5	12.5	2.5	7.0	10	40
6305130G766M	13.0	63.6	36.0	12.0	47.0	2000	8000
63051000C766M	10.0	60.0	28.0	14.0	38.0	1250	5000
6305100G766M	10.0	60.0	28.0	14.0	38.0	1250	5000
63051000C5685M	10.0	60.0	40.0	14.0	38.0	500	2000
6305110G766M	11.0	53,8	31.0	13.2	37.4	1600	6400
63051300C766M	13.0	63.6	36.0	12.0	36.0	2000	8000
6305090G766M	9.0	46,2	27.0	10.8	30.6	1000	4000
63050800C5685M	8.0	48.0	32.0	11.0	30.0	320	1280
6305080G766M	8.0	41.0	24.0	11.0	30.0	800	3200
63050800C766M	8.0	41.0	24.0	11.0	30.0	800	3200
6305070G766M	7.0	42.0	22.0	9.5	26.0	630	2500
63050700C766M	7.0	42.0	22.0	9.5	26.0	630	2500
6305060G766M	6.0	36.0	18.5	8.0	23.0	400	1600
63050600C766M	6.0	36.0	18.5	8.0	23.0	400	1600
63050600C5685M	6.0	36.0	24.0	8.0	23.0	160	640
6305050G766M	5.0	31.0	18.5	7.0	19.0	320	1250

Material index	D [mm]	L [mm]	P [mm]	B1 [mm]	Bmax [mm]	Obciążenie znamionowe [kg]	Obciążenie zrywające [kg]
63050500C766M	5.0	31.0	18.5	7.0	19.0	320	1250
63050500C5685M	5.0	31.0	21.0	7.0	19.0	125	500
63050400C5685M	4.0	27.0	19.0	5.5	15.0	80	320
6305040G766M	4.0	27.0	16.0	5.5	15.0	200	800
63050400C766M	4.0	27.0	16.0	5.5	15.0	200	800
63050300C5685M	3.0	22.0	16.0	4.0	11.5	40	160