

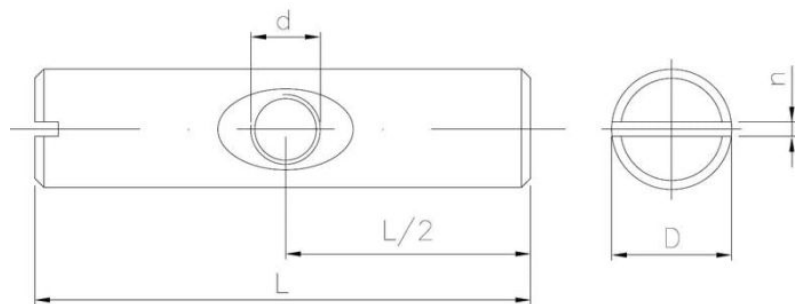
SEND THE INQUIRY
+48 58 55 40 410



Coating (standard):



Coating (special order):



Dimensions

Material index	d	L [mm]	D [mm]	n [mm]	Type of coating
1519120018BS	M8	18	12	1.6	B (White zinc coating)
1519120060BT	M8	60	12	1.6	B (White zinc coating)
1519120030BT	M8	30	12	1.6	B (White zinc coating)
1519100030BT	M6	30	10	1.6	B (White zinc coating)
1519100016AT	M6	16	10	1.6	CR (silver ceramic coating)
1519100013BT	M6	13	10	1.6	B (White zinc coating)
1519100020BT	M6	20	10	1.6	B (White zinc coating)
1519100016BT	M6	16	10	1.6	B (White zinc coating)
1519100022BT	M6	22	10	1.6	B (White zinc coating)
1519100013AT	M6	13	10	1.6	CR (silver ceramic coating)