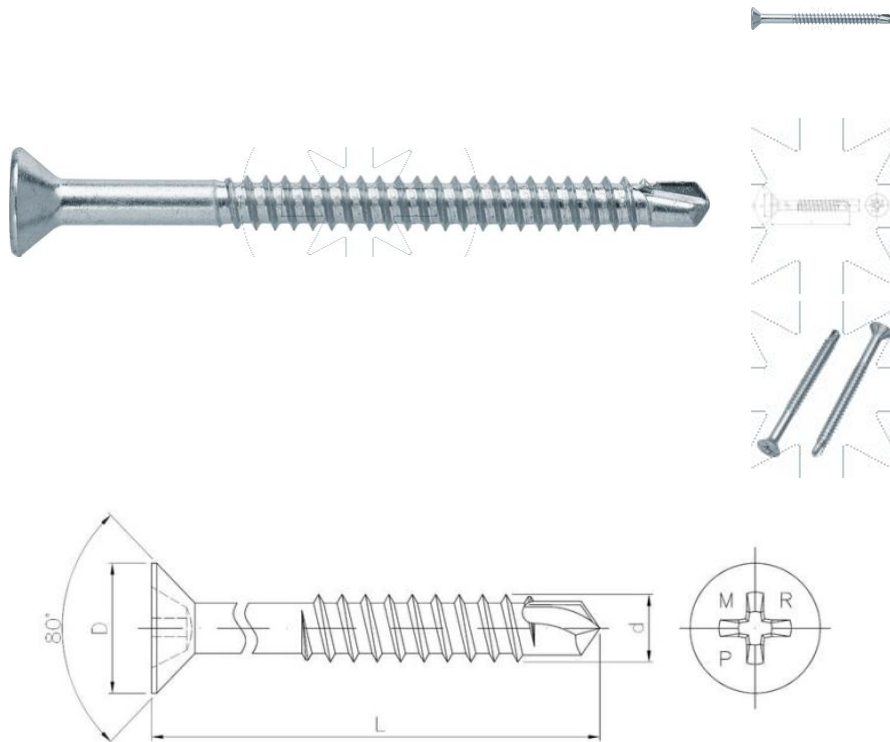


SEND THE INQUIRY

+48 58 55 40 410

**Standards:**

RT-ITB-1279/2016



Coating (standard):



Dimensions

Material index	d [mm]	L [mm]	D [mm]	Recess	Type of coating
23280481200PHBPCVT	4.8	120	9.5	PH	B (White zinc coating)
23280480800PHBPCVT	4.8	80	9.5	PH	B (White zinc coating)
23280480600PHBPCVT	4.8	60	9.5	PH	B (White zinc coating)