

52.49
MPZ
12

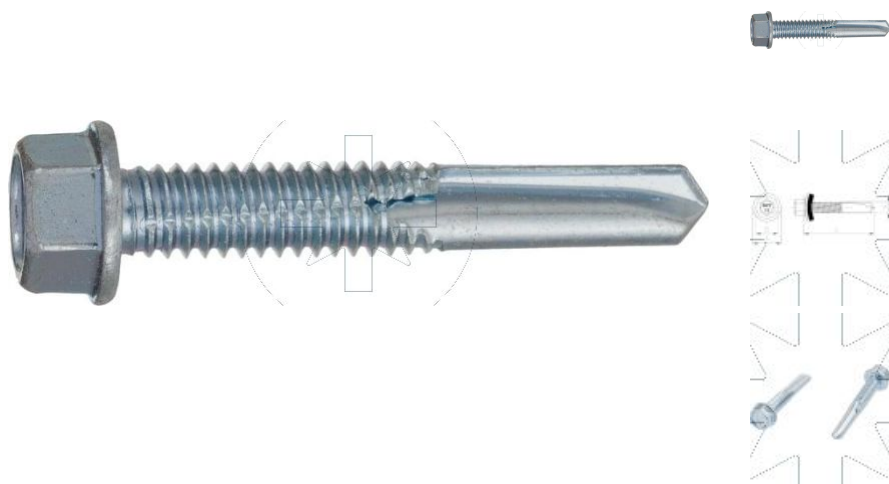
MPZ 12 self-drilling screw (zinc plating)

SEND THE INQUIRY

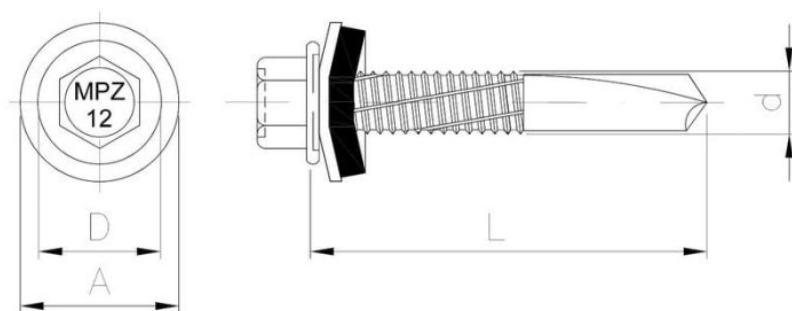
+48 58 55 40 410

Standards:

ETA-18/0371



Coating (standard):



Dimensions

Material index	d [mm]	L [mm]	D [mm]	A [mm]	RAL	Type of coating
5249055035BT	5.5	35	11	-		B (White zinc coating)
5249055035S16BT	5.5	35	11	16		B (White zinc coating)
5249055035S14BT	5.5	35	11	14		B (White zinc coating)
5249055035S14B735T	5.5	35	11	14	7035	B (White zinc coating)
5249055035S14B503T	5.5	35	11	14	5003	B (White zinc coating)
5249055035S14B716T	5.5	35	11	14	7016	B (White zinc coating)
5249055035S14B906T	5.5	35	11	14	9006	B (White zinc coating)
5249055035S14B910T	5.5	35	11	14	9010	B (White zinc coating)