

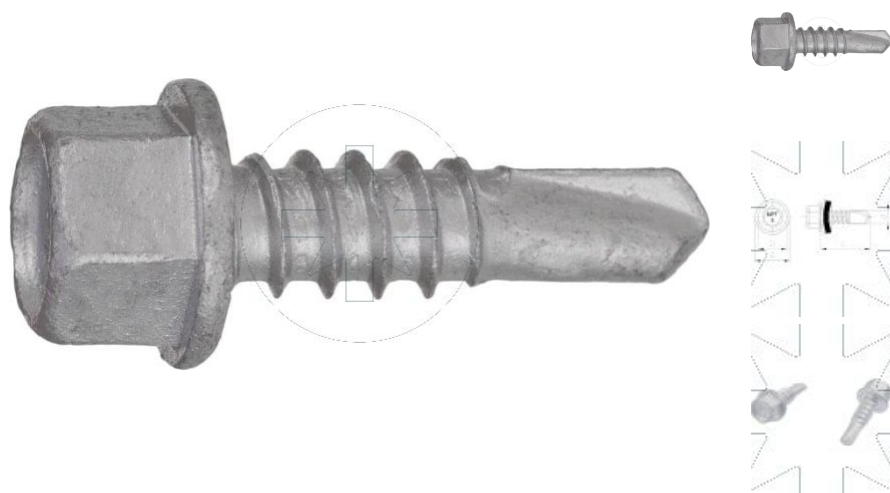
52.40
MPT
5

MPT 5 self-drilling screw (ceramic coating)

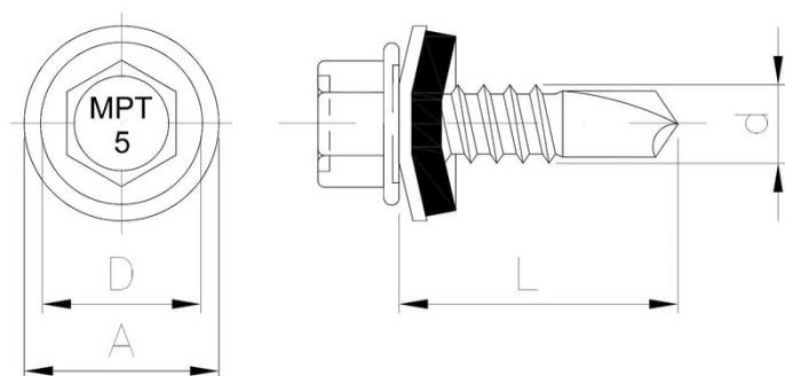
SEND THE INQUIRY
+48 58 55 40 410

Standards:

ETA-18/0371



Coating (standard):



Dimensions

Material index	d [mm]	L [mm]	D [mm]	A [mm]	Type of coating
5240055050A16H05T	5.5	50	10.5	16	Silver Ruspert
5240055032H05T	5.5	32	10.5	-	Silver Ruspert
5240055070H05T	5.5	70	10.5	-	Silver Ruspert
5240055032A14H05T	5.5	32	10.5	14	Silver Ruspert
5240055025A14H05T	5.5	25	10.5	14	Silver Ruspert
5240055038A14H05T	5.5	38	10.5	14	Silver Ruspert
5240055060H05T	5.5	60	10.5	-	Silver Ruspert
5240055019A16H05T	5.5	19	10.5	16	Silver Ruspert
5240055038H05T	5.5	38	10.5	-	Silver Ruspert
5240055025A16H05T	5.5	25	10.5	16	Silver Ruspert
5240055060A14H05T	5.5	60	10.5	14	Silver Ruspert
5240055019A14H05T	5.5	19	10.5	14	Silver Ruspert
5240055050H05T	5.5	50	10.5	-	Silver Ruspert
5240055025H05T	5.5	25	10.5	-	Silver Ruspert
5240055038A16H05T	5.5	38	10.5	16	Silver Ruspert
5240055050A14H05T	5.5	50	10.5	14	Silver Ruspert

Material index	d [mm]	L [mm]	D [mm]	A [mm]	Type of coating
5240055019H05T	5.5	19	10.5	-	Silver Ruspert
5240055070A14H05T	5.5	70	10.5	14	Silver Ruspert
5240055032A16H05T	5.5	32	10.5	16	Silver Ruspert
5240055070A16H05T	5.5	70	10.5	16	Silver Ruspert
5240055060A16H05T	5.5	60	10.5	16	Silver Ruspert