

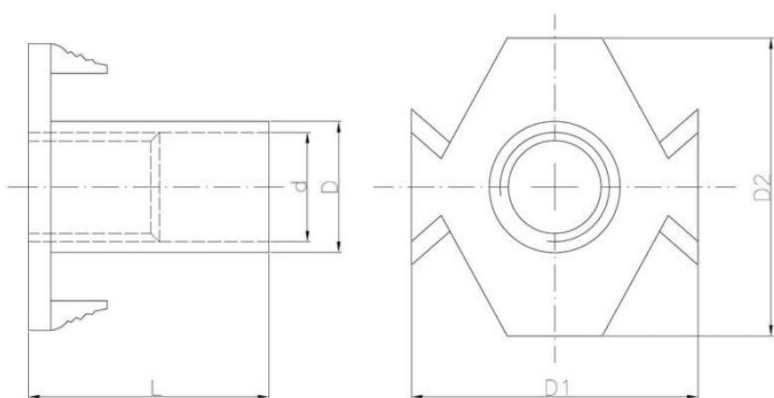
Coating (standard):

B
WHITE
ZINC
COATING

Coating (special order):

A
YELLOW
ZINC
COATING

C
BLACK
ZINC
COATING



Dimensions

Material index	d	L [mm]	D [mm]	D1 [mm]	D2 [mm]	g [mm]	Type of coating
1512080011BEXTT	M8	11.0	9.6	21.0	22.00	1.4	B (White zinc coating)
1512050008BEXTT	M5	8.0	6.2	16.0	17.7	1.0	B (White zinc coating)
1512040008BEXTT	M4	8.0	5.2	16.0	17.7	1.0	B (White zinc coating)
1512060015BEXTT	M6	15.0	7.6	16.0	17.5	1.2	B (White zinc coating)
1512060012BEXTT	M6	12.0	7.5	16.0	17.5	1.2	B (White zinc coating)
1512060009BEXTT	M6	9.0	7.3	16.0	17.5	1.2	B (White zinc coating)