

SEND THE INQUIRY

+48 58 55 40 410

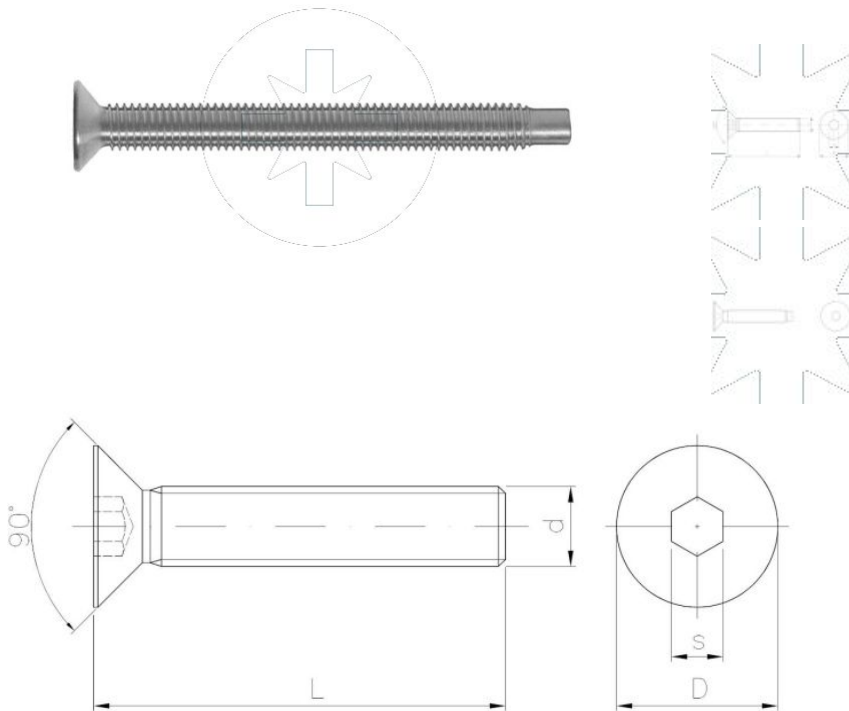
Standards:

DIN 7991
ISO 10642

Material:

A2

A4



Dimensions

Material index	d	L [mm]	D [mm]	s [mm]	Materials
I1310080140IA4799T	M8	140	16.0	5.0	A4 (acids resistant steel)
I1310080045IA4799T	M8	45	16.0	5.0	A4 (acids resistant steel)
I1310080060IA2799S	M8	60	16.0	5.0	A2 (stainless steel)
I1310080020IA2799T	M8	20	11.8	5.0	A2 (stainless steel)
I1310080120IA4799T	M8	120	16.0	5.0	A4 (acids resistant steel)
I1310080016IA2799T	M8	16	11.8	5.0	A2 (stainless steel)
I1310080020IA4799T	M8	20	11.8	5.0	A4 (acids resistant steel)
I1310080090IA4799T	M8	90	16.0	5.0	A4 (acids resistant steel)
I1310080030IA2799T	M8	30	16.0	5.0	A2 (stainless steel)
I1310060016IA2799T	M6	16	11.8	4.0	A2 (stainless steel)
I1310060040IA4799T	M6	40	11.8	4.0	A4 (acids resistant steel)
I1310060060IA4799T	M6	60	11.8	4.0	A4 (acids resistant steel)
I1310050030IA4799T	M5	30	10.3	3.0	A4 (acids resistant steel)
I1310050020IA4799T	M5	20	10.3	3.0	A4 (acids resistant steel)
I1310040030IA4799T	M4	30	8.0	2.5	A4 (acids resistant steel)
I1310040010IA4799T	M4	10	8.0	2.5	A4 (acids resistant steel)
I1310120040IA4799T	M12	40	24.0	8.0	A4 (acids resistant steel)
I1310120040IA2799S	M12	40	24.0	8.0	A2 (stainless steel)
I1310100040IA2799S	M10	40	20.0	6.0	A2 (stainless steel)

Material index	d	L [mm]	D [mm]	s [mm]	Materials
I1310100030IA2799T	M10	30	20.0	6.0	A2 (stainless steel)
I1310100060IA4799T	M10	60	20.0	6.0	A4 (acids resistant steel)
I1310100025IA2799T	M10	25	20.0	6.0	A2 (stainless steel)
I1310100060IA2799S	M10	60	20.0	6.0	A2 (stainless steel)
I1310100090IA4799T	M10	90	20.0	6.0	A4 (acids resistant steel)
I1310100016IA2799T	M10	16	20.0	6.0	A2 (stainless steel)