

SEND THE INQUIRY

+48 58 55 40 410

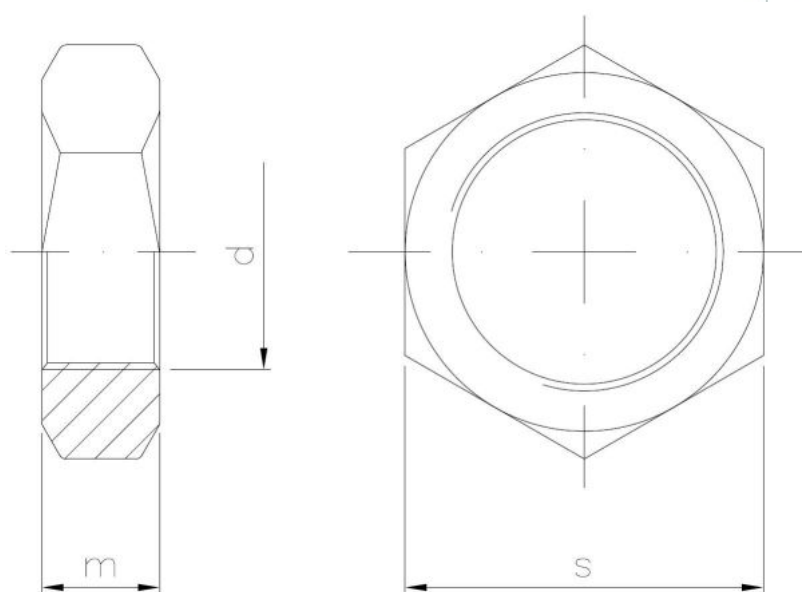
Standards:

DIN 439
ISO 4035
PN-M 82153



Material:

A2



Dimensions

Material index	d	s [mm]	m [mm]	Materials
I1503080A2D439T	M8	13.0	8.0	A2 (stainless steel)
I1503060A2D439T	M6	10.0	6.0	A2 (stainless steel)
I1503050A2D439T	M5	8.0	5.0	A2 (stainless steel)
I1503040A2D439T	M4	7.0	5.0	A2 (stainless steel)
I1503200A2D439S	M20	30.0	20.0	A2 (stainless steel)
I1503160A2D439S	M16	24.0	16.0	A2 (stainless steel)
I1503120A2D439T	M12	19.0	12.0	A2 (stainless steel)
I1503100A2D439T	M10	17.0	10.0	A2 (stainless steel)