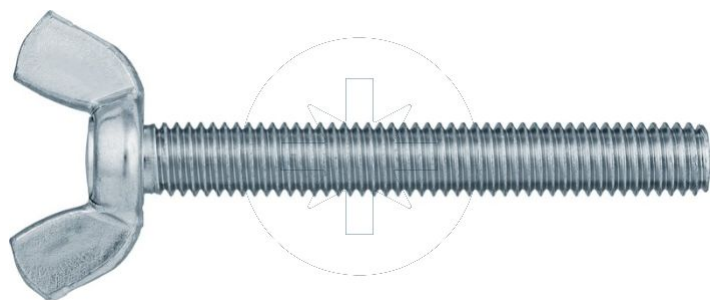


SEND THE INQUIRY

+48 58 55 40 410

Standards:

DIN 318



Class (standard):

3.6

Class (special order):

5.8

Coating (standard):

B

WHITE
ZINC
COATING

Coating (special order):

A

YELLOW
ZINC
COATING

C

BLACK
ZINC
COATING

G

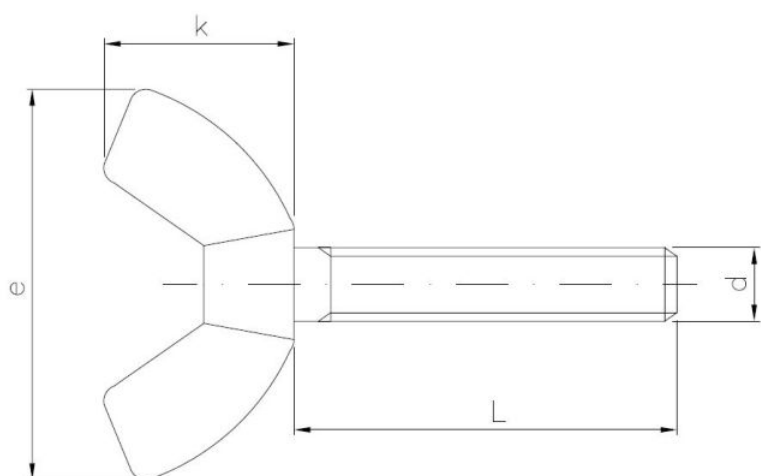
HDP

N

NICKEL
COATING

S

RAW
PRODUCT



Dimensions

Material index	d	L [mm]	e [mm]	k [mm]	Mechanical properties class	Type of coating
1115080050BS	M8	50	38	19	3.6	B (White zinc coating)
1115080025BS	M8	25	38	19	3.6	B (White zinc coating)
1115080030BS	M8	30	38	19	3.6	B (White zinc coating)
1115080060BS	M8	60	38	19	3.6	B (White zinc coating)
1115080040BS	M8	40	38	19	3.6	B (White zinc coating)
1115080020BS	M8	20	38	19	3.6	B (White zinc coating)
1115080016BS	M8	16	38	19	3.6	B (White zinc coating)
1115060030BS	M6	30	32	16	3.6	B (White zinc coating)
1115060020BS	M6	20	32	16	3.6	B (White zinc coating)
1115060050BT	M6	50	38	19	3.6	B (White zinc coating)
1115060010BS	M6	10	32	16	3.6	B (White zinc coating)
1115060040BS	M6	40	32	16	3.6	B (White zinc coating)
1115060012BS	M6	12	32	16	3.6	B (White zinc coating)
1115060016BS	M6	16	32	16	3.6	B (White zinc coating)

Material index	d	L [mm]	e [mm]	k [mm]	Mechanical properties class	Type of coating
1115050012BS	M5	12	25	12	3.6	B (White zinc coating)
1115050010BS	M5	10	25	12	3.6	B (White zinc coating)
1115050016BS	M5	16	25	12	3.6	B (White zinc coating)
1115050030BS	M5	30	25	12	3.6	B (White zinc coating)
1115050020BS	M5	20	25	12	3.6	B (White zinc coating)
1115040016BS	M4	16	20	10	3.6	B (White zinc coating)
1115040010BS	M4	10	20	10	3.6	B (White zinc coating)
1115100020BS	M10	20	45	22	3.6	B (White zinc coating)
1115100040BS	M10	40	45	22	3.6	B (White zinc coating)