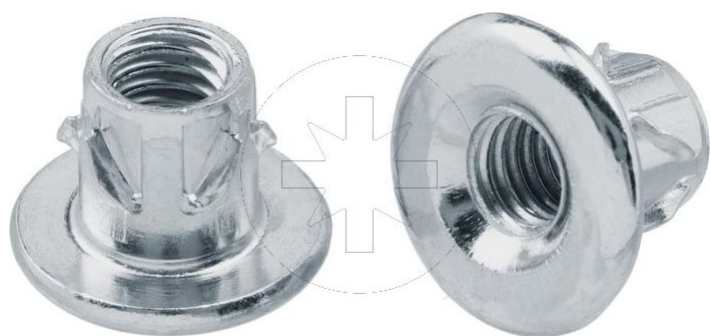


15.35
NM

Insert nut with spiked collar

SEND THE INQUIRY

+48 58 55 40 410



Coating (standard):

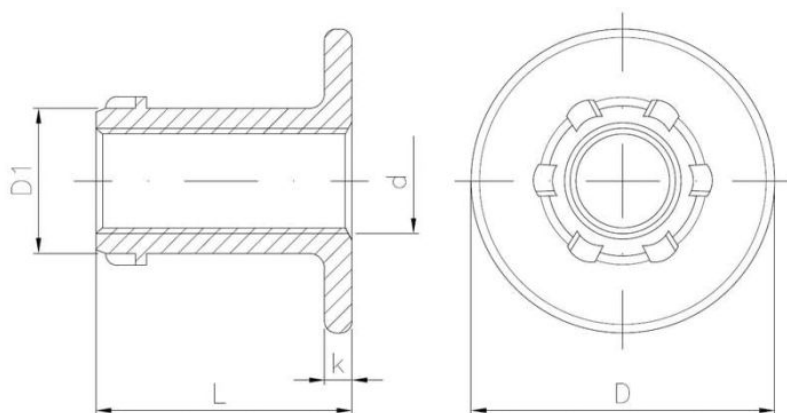
B

WHITE
ZINC
COATING

Coating (special order):

A

YELLOW
ZINC
COATING



Dimensions

Material index	d	L [mm]	D1 [mm]	D [mm]	k [mm]	Type of coating
1535060150140BT	M6	14	8.5	15	2.0	B (White zinc coating)
1535060150090BT	M6	9	8.5	15	2.0	B (White zinc coating)