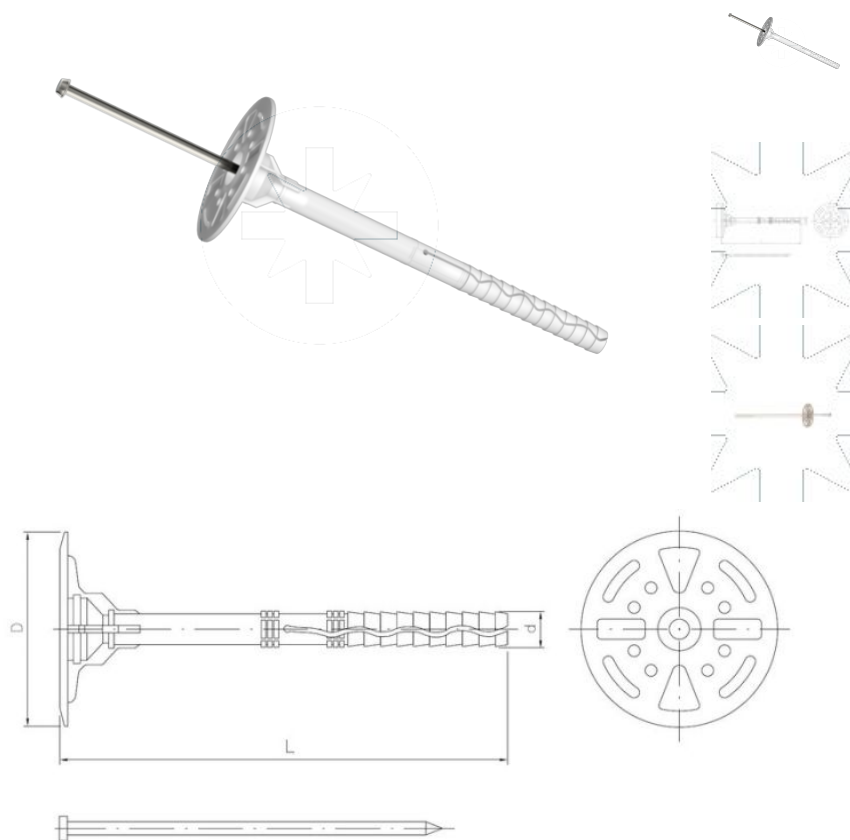


SEND THE INQUIRY

+48 58 55 40 410

Standards:

ITB KOT-2017/0107



Dimensions

Material index	d [mm]	L [mm]	D [mm]	Materials
5702100200TITT	10.0	203	60	PP (polypropylene)
5702100160TITT	10.0	163	60	PP (polypropylene)
5702100100TITT	10.0	103	60	PP (polypropylene)
5702100240TITT	10.0	243	60	PP (polypropylene)
5702100300TITT	10.0	283	60	PP (polypropylene)
5702100120TITT	10.0	123	60	PP (polypropylene)
5702100180TITT	10.0	183	60	PP (polypropylene)
5702100220TITT	10.0	223	60	PP (polypropylene)
5702100080TITT	10.0	83	60	PP (polypropylene)
5702100260TITT	10.0	263	60	PP (polypropylene)
5702100140TITT	10.0	143	60	PP (polypropylene)