

SEND THE INQUIRY

+48 58 55 40 410

Standards:

DIN 125
GOST 11379-68
ISO 7089, ISO 7091
PN-M 82005

B
WHITE
ZINC
COATING

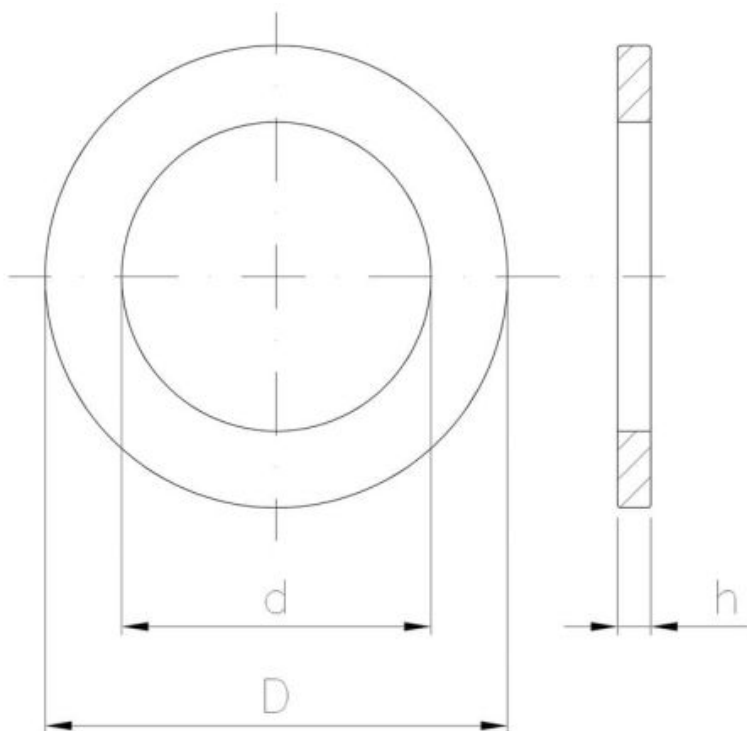
G
HDG

Coating (standard):

A
YELLOW
ZINC
COATING

C
BLACK
ZINC
COATING

Coating (special order):



Dimensions

Material index	d [mm]	D [mm]	h [mm]	Type of coating	Measure unit
1401080160B2HD125T	8.4	16	1.6	B (White zinc coating)	THS.
1401080SD125K	8.4	16	1.6	S (raw product)	KG
1401080160BD125T	8.4	16	1.6	B (White zinc coating)	THS.
1401080160G2HD125T	8.4	16	1.6	G (HDG)	THS.
1401080BD125K	8.4	16	1.6	B (White zinc coating)	KG
1401060SD125K	6.4	12	1.6	B (White zinc coating)	KG
1401060120BD125T	6.4	12	1.6	B (White zinc coating)	THS.
1401060120G2HD125T	6.4	12	1.6	G (HDG)	THS.
1401060120B2HD125T	6.4	12	1.6	B (White zinc coating)	THS.

Material index	d [mm]	D [mm]	h [mm]	Type of coating	Measure unit
1401060BD125K	6.4	12	1.6	B (White zinc coating)	KG
1401050BD125K	5.3	10	1.0	B (White zinc coating)	KG
1401050100BD125T	5.3	10	1.0	B (White zinc coating)	THS.
1401040090BD125T	4.3	9	0.8	B (White zinc coating)	THS.
1401040BD125K	4.3	9	0.8	B (White zinc coating)	KG
1401360660BD125T	37	66	5.0	B (White zinc coating)	THS.
1401360BD125K	37	66	5.0	B (White zinc coating)	KG
1401330BD125K	34	60	5.0	B (White zinc coating)	KG
1401300BD125K	31	56	4.0	B (White zinc coating)	KG
1401300560BD125S	31	56	4.0	B (White zinc coating)	PCS
1401030070BD125T	3.2	7	0.5	B (White zinc coating)	THS.
1401030BD125K	3.2	7	0.5	B (White zinc coating)	KG
1401270BD125K	28	50	4.0	B (White zinc coating)	KG
1401270500BD125S	28	50	4.0	B (White zinc coating)	PCS
1401240BD125K	25	44	4.0	B (White zinc coating)	KG
1401240440G2HD125T	25	44	4.0	G (HDG)	THS.
1401240440BD125T	25	44	4.0	B (White zinc coating)	THS.
1401240440B2HD126T	25	44	4.0	B (White zinc coating)	THS.
1401220BD125K	21	39	3.0	B (White zinc coating)	KG
1401200BD125K	21	37	3.0	B (White zinc coating)	KG
1401200370G2HD125T	21	37	3.0	G (HDG)	THS.
1401220390BD125T	21	39	3.0	B (White zinc coating)	THS.
1401200370BD125T	21	37	3.0	B (White zinc coating)	THS.
1401200SD125K	21	37	3.0	B (White zinc coating)	KG
1401200370B2HD125T	21	37	3.0	B (White zinc coating)	THS.
1401180340BD125AT	19	34	3.0	B (White zinc coating)	THS.
1401180BD125K	19	34	3.0	B (White zinc coating)	KG
1401160SD125K	17	30	3.0	B (White zinc coating)	KG
1401160300BD125T	17	30	3.0	B (White zinc coating)	THS.
1401160300G2HD125T	17	30	3.0	G (HDG)	THS.
1401160BD125K	17	30	3.0	B (White zinc coating)	KG
1401140280BD125T	15	28	2.5	B (White zinc coating)	THS.
1401140BD125K	15	28	2.5	B (White zinc coating)	KG
1401120240BD125T	13	24	2.5	B (White zinc coating)	THS.
1401120240G2HD125T	13	24	2.5	G (HDG)	THS.
1401120BD125K	13	24	2.5	B (White zinc coating)	KG
1401100200B2HD125T	10.5	20	2.0	B (White zinc coating)	THS.
1401100SD125K	10.5	20	2.0	S (raw product)	KG
1401100200G2HD125T	10.5	20	2.0	G (HDG)	THS.

Material index	d [mm]	D [mm]	h [mm]	Type of coating	Measure unit
1401100200BD125T	10.5	20	2.0	B (White zinc coating)	THS.
1401100BD125K	10.5	20	2.0	B (White zinc coating)	KG