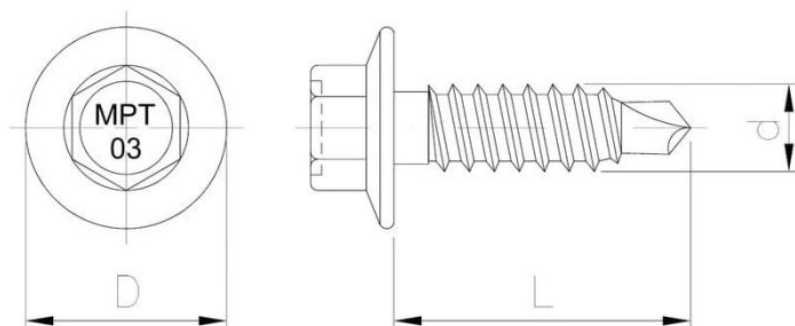


52.33
MPT
03 IW

MPT 03 IW self-drilling screw with integrated washer



Coating (standard):



SEND THE INQUIRY
+48 58 55 40 410

Standards:

ETA-18/0371



Dimensions

Material index	d [mm]	L [mm]	D [mm]	Type of coating
5233063022IWH05T	6.3	22	15	Silver Ruspert