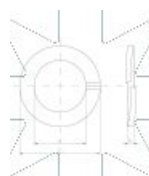


SEND THE INQUIRY

+48 58 55 40 410

Standards:

DIN 127B
GOST 11379-68
PN-M 82008



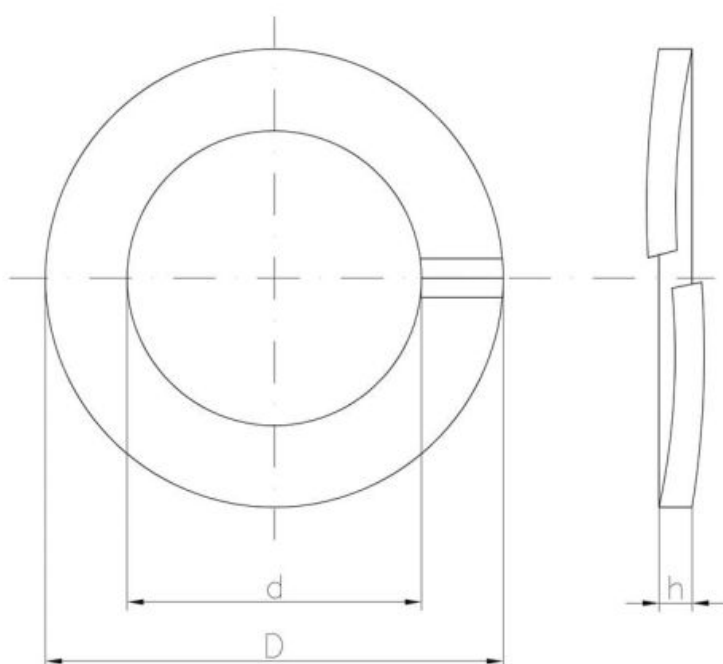
Coating (standard):

B
WHITE
ZINC
COATING

Coating (special order):

A
YELLOW
ZINC
COATING

C
BLACK
ZINC
COATING



Dimensions

Material index	d [mm]	D [mm]	h [mm]	Type of coating	Measure unit
1404300BD127K	30.5	48.2	6.0	B (White zinc coating)	KG
1404360BD127S	36.5	58.2	6.0	B (White zinc coating)	PCS
1404240BD127BT	24.5	40	4.0	B (White zinc coating)	THS.
1404240BD127K	24.5	40	4.0	B (White zinc coating)	KG
1404200BD127K	20.2	33.6	4.0	B (White zinc coating)	KG
1404180BD127BT	18.2	29.4	3.5	B (White zinc coating)	THS.
1404160BD127K	16.2	27.4	3.5	B (White zinc coating)	KG
1404160BD127BT	16.2	27.4	3.5	B (White zinc coating)	THS.
1404180BD127K	18.2	29.4	3.5	B (White zinc coating)	KG
1404140BD127K	14.2	24.1	3.0	B (White zinc coating)	KG
1404120BD127BT	12.2	21.1	2.5	B (White zinc coating)	THS.

Material index	d [mm]	D [mm]	h [mm]	Type of coating	Measure unit
1404120BD127K	12.2	21.1	2.5	B (White zinc coating)	KG
1404100BD127BT	10.2	18.1	2.2	B (White zinc coating)	THS.
1404100BD127K	10.2	18.1	2.2	B (White zinc coating)	KG
1404080BD127BT	8.1	14.8	2.0	B (White zinc coating)	THS.
1404080BD127K	8.1	14.8	2.0	B (White zinc coating)	KG
1404060BD127BT	6.1	11.8	1.4	B (White zinc coating)	THS.
1404060120BD137BT	6.1	12	1.4	B (White zinc coating)	THS.
1404060BD127K	6.1	11.8	1.4	B (White zinc coating)	KG
1404050BD127K	5.1	9.2	1.2	B (White zinc coating)	KG
1404050BD127BT	5.1	9.2	1.2	B (White zinc coating)	THS.
1404050110BD137BT	5.1	9.2	1.2	B (White zinc coating)	THS.
1404040BD127BT	4.1	7.6	1.0	B (White zinc coating)	THS.
1404040BD127K	4.1	7.6	1.0	B (White zinc coating)	KG