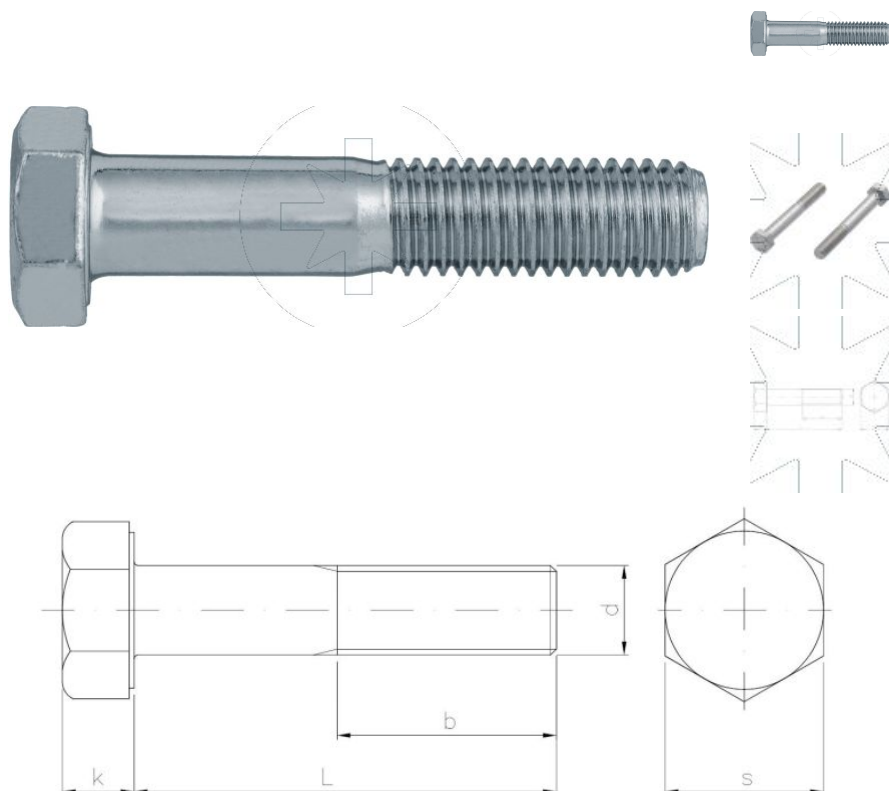


Standards:

DIN 931
GOST 7798-70
ISO 4014
PN-M 82101



Dimensions

Material index	d	L [mm]	k [mm]	s [mm]	b [mm]	Materials
I1102100090A2D931T	M10	90	6.4	16.0	26	A2 (stainless steel)
I1102050080A2D931T	M5	80	3.5	8.0	16	A2 (stainless steel)
I1102060070A4D931S	M6	70	4.0	10.0	18	A4 (acids resistant steel)
I1102080070A4D931S	M8	70	5.3	13.0	22	A4 (acids resistant steel)
I1102080060A4D931S	M8	60	5.3	13.0	22	A4 (acids resistant steel)
I1102080050A4D931S	M8	50	5.3	13.0	22	A4 (acids resistant steel)
I1102050050A4D931S	M5	50	3.5	8.0	16	A4 (acids resistant steel)
I1102120050A2D931T	M12	50	7.5	18.0	30	A2 (stainless steel)
I1102060045A2D931T	M6	45	4.0	10.0	18	A2 (stainless steel)
I1102080120A2D931S	M8	120	5.3	13.0	22	A2 (stainless steel)
I1102100110A2D931S	M10	110	6.4	16.0	26	A2 (stainless steel)

