

I32.03
H6K

INOX Hexagonal head wood screw, partially threaded

SEND THE INQUIRY

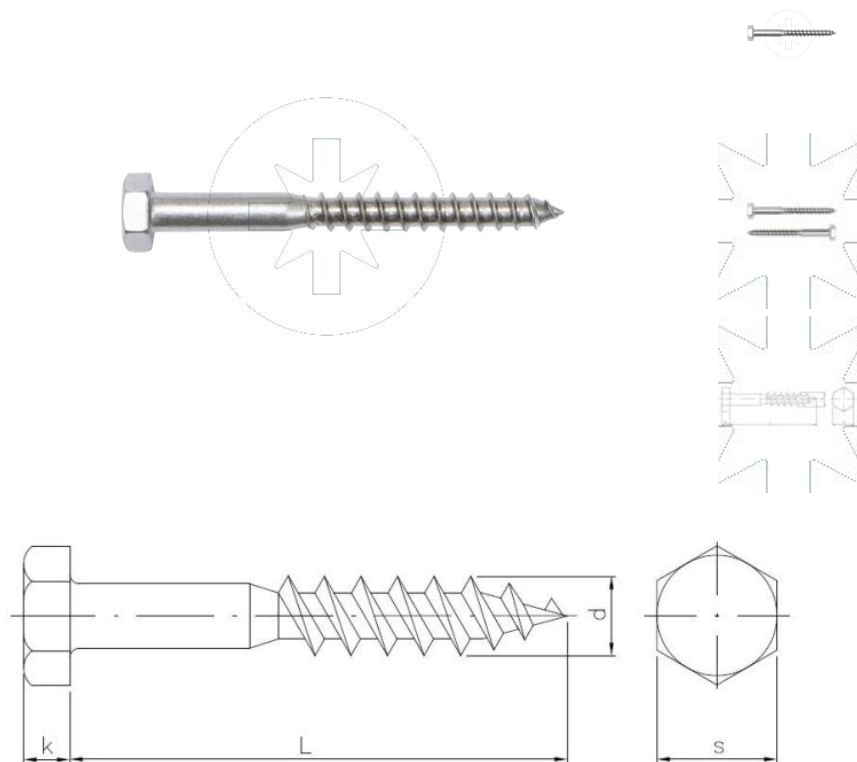
+48 58 55 40 410

Standards:

DIN 571
PN-M 82501~

Material:

A2



Dimensions

Material index	d [mm]	L [mm]	s [mm]	k [mm]	Lg [mm]	Materials
I3203080080A2S	8.0	80	13.0	5.5	48	A2 (stainless steel)
I3203100080A2S	10	80	17.0	7.0	48	A2 (stainless steel)
I3203080070A2S	8.0	70	13.0	5.5	42	A2 (stainless steel)
I3203100120A2S	10	120	17.0	7.0	72	A2 (stainless steel)
I3203080100A2S	8.0	100	13.0	5.5	60	A2 (stainless steel)
I3203100100A2S	10	100	17.0	7.0	60	A2 (stainless steel)