

56.52
CBH-R

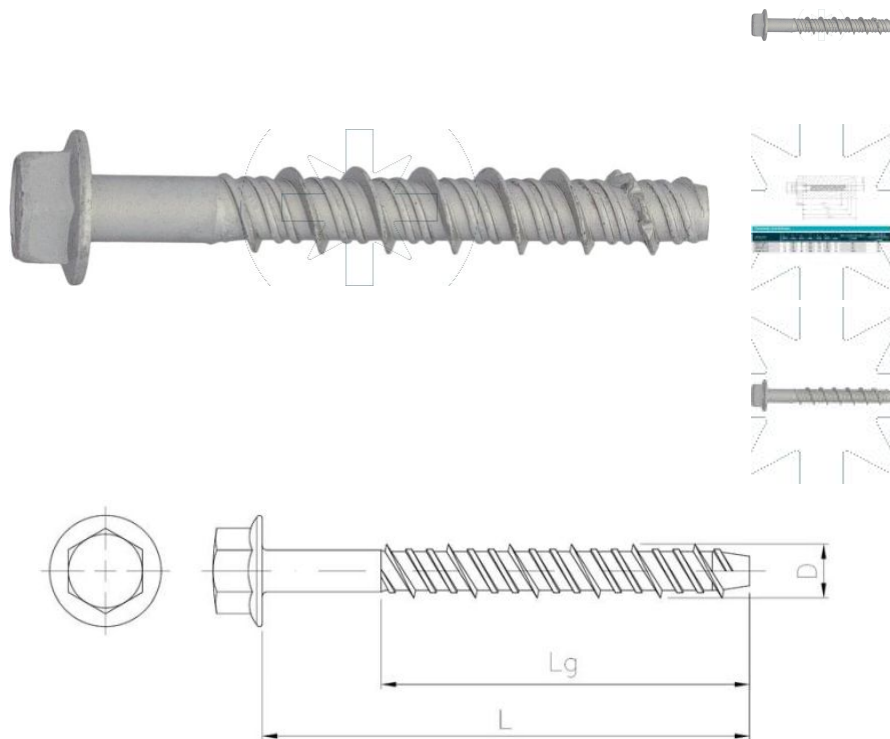
Flange concrete screw - 500h ceramic coating

SEND THE INQUIRY

+48 58 55 40 410

Standards:

ETA-14/0374



Dimensions

Material index	D [mm]	L [mm]	Lg [mm]	tfix [mm]	Type of coating
5652105090H05S	10.5	90	60	30	Silver Ruspert
5652125085H05S	12.5	85	70	15	Silver Ruspert
5652075080H05S	7.5	80	50	25	Silver Ruspert
5652075060H05S	7.5	60	50	5	Silver Ruspert
5652165115H05S	16.5	115	80	5	Silver Ruspert
5652105110H05S	10.5	110	60	50	Silver Ruspert
5652125110H05S	12.5	100	70	30	Silver Ruspert