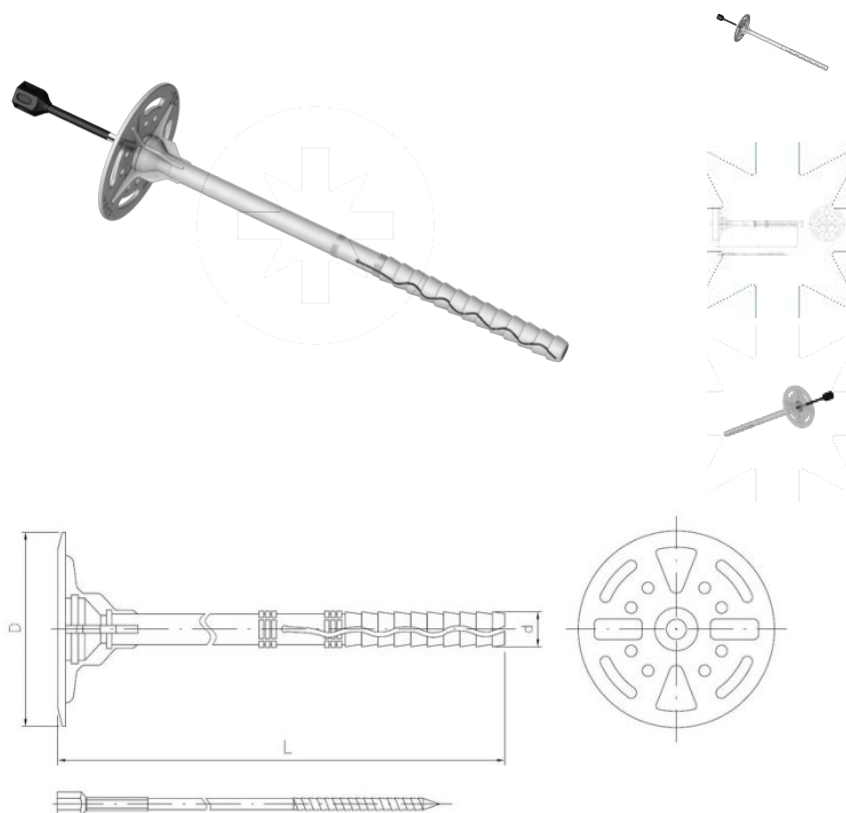


SEND THE INQUIRY

+48 58 55 40 410

Standards:

ITB KOT-2017/0107



Dimensions

Material index	d [mm]	L [mm]	D [mm]	Materials
5706100300080TITT	10	300	60	PP (polypropylene)
5706100280080TITT	10	280	60	PP (polypropylene)
5706100260080TITT	10	260	60	PP (polypropylene)
5706100240080TITT	10	240	60	PP (polypropylene)
5706100220080TITT	10	220	60	PP (polypropylene)
5706100200080TITT	10	200	60	PP (polypropylene)
5706100180080TITT	10	180	60	PP (polypropylene)
5706100160080TITT	10	160	60	PP (polypropylene)
5706100140080TITT	10	140	60	PP (polypropylene)
5706100120040TITT	10	120	60	PP (polypropylene)