

Coating (standard):

B

WHITE
ZINC
COATING

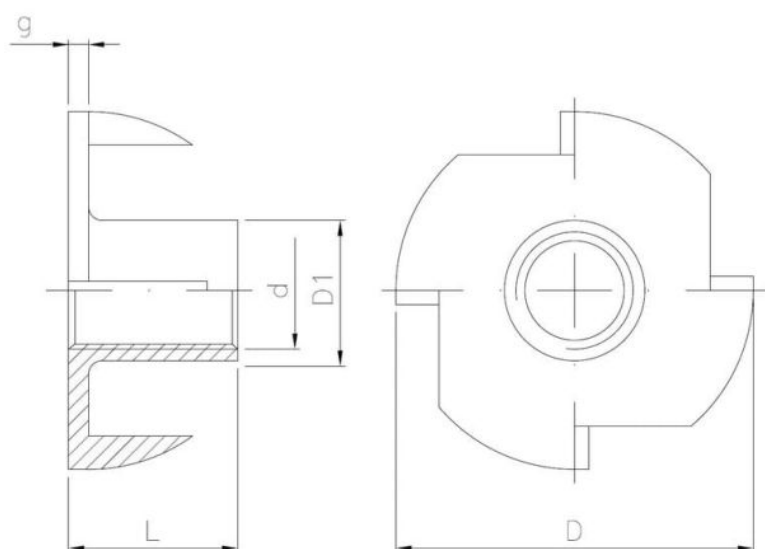
Coating (special order):

A

YELLOW
ZINC
COATING

C

BLACK
ZINC
COATING



Dimensions

Material index	d	L [mm]	D [mm]	D1 [mm]	g [mm]	Type of coating
1511060009BT	M6	9.0	19.0	7.5	1.3	B (White zinc coating)
1511050008BT	M5	8.0	17.0	6.3	1.1	B (White zinc coating)
1511040008BT	M4	8.0	15.0	5.7	1.1	B (White zinc coating)
1511060018BT	M6	18.0	19.0	7.0	1.3	B (White zinc coating)
1511080017BT	M8	17.0	22.2	9.0	1.5	B (White zinc coating)
1511060015BT	M6	15.0	19.0	7.5	1.3	B (White zinc coating)
1511080015BT	M8	15.0	22.2	9.0	1.5	B (White zinc coating)
1511100013BT	M10	13.0	25.4	11.0	1.6	B (White zinc coating)
1511060012BT	M6	12.0	19.0	7.5	1.3	B (White zinc coating)
1511080011BT	M8	11.0	22.2	9.0	1.5	B (White zinc coating)