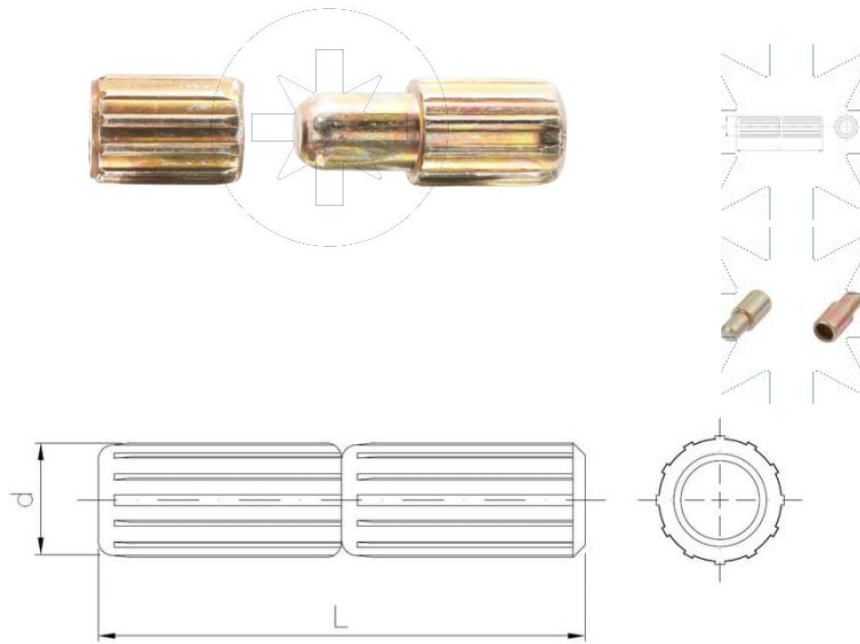


34.24 Table pin

SEND THE INQUIRY

+48 58 55 40 410



Coating (standard):

B

WHITE
ZINC
COATING

Dimensions

Material index	d [mm]	L [mm]	Type of coating
3424081022A405T	8.2	22.0	Zn (zinc coating)