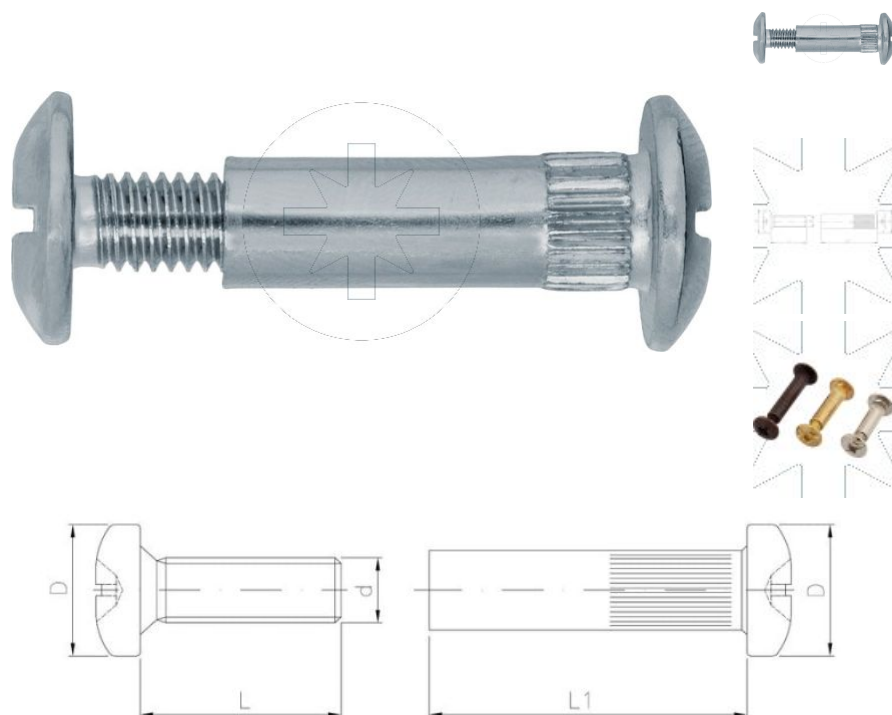


34.09 Connecting screw

SEND THE INQUIRY

+48 58 55 40 410



Coating (standard):

M
POWŁOKA
MOSIĄDZOWA

N
POWŁOKA
NIKLOWA

W
BRONZE
COATING

Dimensions

Material index	d [mm]	D [mm]	L [mm]	L1 [mm]	Type of coating
3409060039045PKNT	6.0	15.0	14.0	39.0	N (nickel coating)
3409040031040PKMT	4.0	10.0	14.0	31.0	M (brass coating)
3409060031040PKWT	6.0	15.0	14.0	31.0	W (bronze coating)
3409040031040PKWT	4.0	10.0	14.0	31.0	W (bronze coating)
3409060031040PKMT	6.0	15.0	14.0	31.0	M (brass coating)
3409060031040PKNT	6.0	15.0	14.0	31.0	N (nickel coating)
3409040031040PKNT	4.0	10.0	14.0	31.0	N (nickel coating)
3409060026035PKBT	6.0	15.0	14.0	26.0	B (White zinc coating)
3409040026035PKBT	4.0	10.0	14.0	26.0	B (White zinc coating)