

15.28  
N6N  
DZ

# Fine thread thin hexagon nut



Coating (standard):

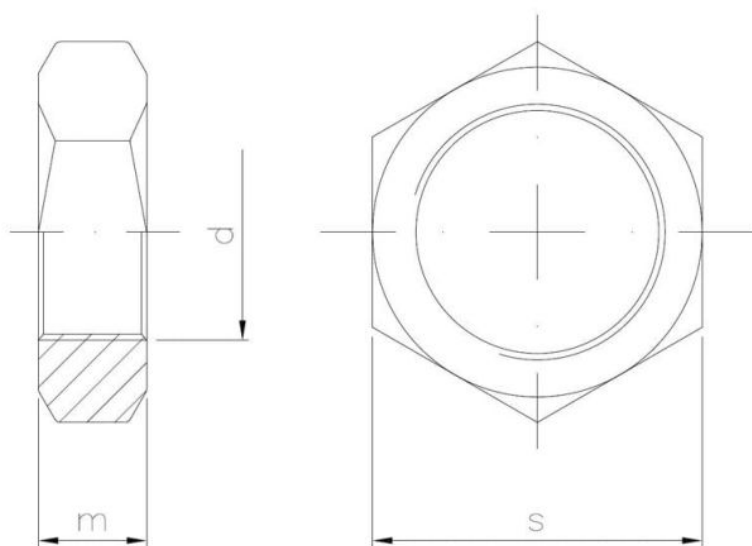
SEND THE INQUIRY

+48 58 55 40 410

**Standards:**

DIN 439~

**B**  
WHITE  
ZINC  
COATING



## Dimensions

Material index	d	m [mm]	s [mm]	Type of coating
1528160150BD439T	M16	16.0	24.0	B (White zinc coating)
1528100100BD439T	M10	10.0	17.0	B (White zinc coating)