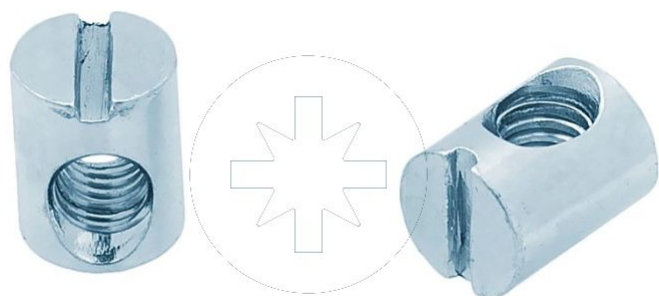


**15.18**  
**NW-NS**

# Asymmetric barrel nut

SEND THE INQUIRY  
+48 58 55 40 410



Coating (standard):



YELLOW ZINC COATING

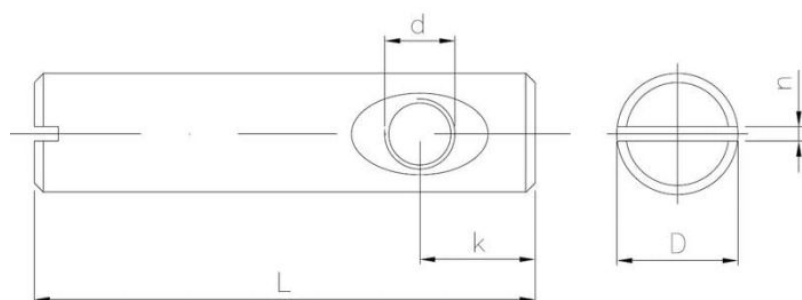


WHITE ZINC COATING

Coating (special order):



RAW PRODUCT



## Dimensions

Material index	d	L [mm]	D [mm]	k [mm]	n [mm]	Type of coating
1518100016BT	M6	16	10.0	5	1.6	B (White zinc coating)
1518100013BT	M6	13	10.0	5	1.6	B (White zinc coating)
1518100013AT	M6	13	10.0	5	1.6	A (Yellow zinc coating)
1518100016AT	M6	16	10.0	5	1.6	A (Yellow zinc coating)