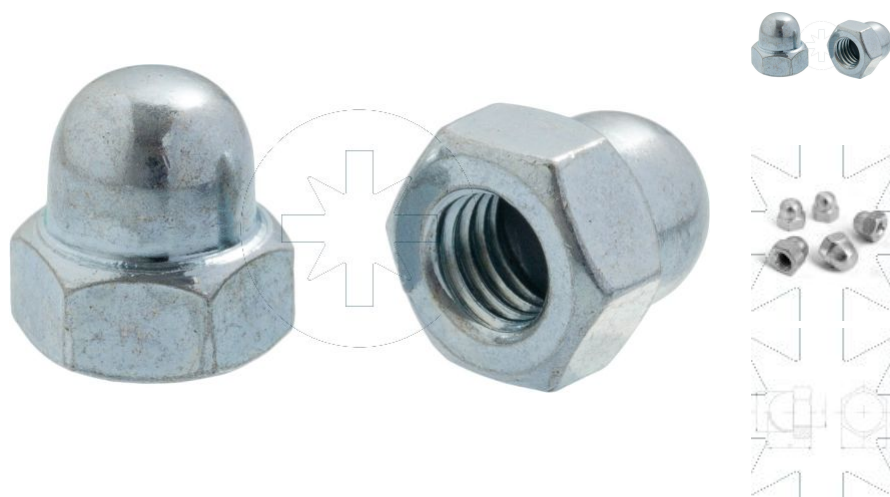


I15.09 Hexagon domed cap nut

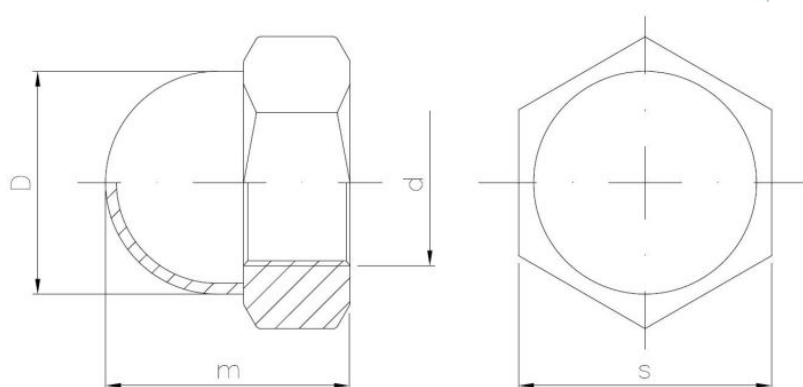
SEND THE INQUIRY
+48 58 55 40 410

Standards:

DIN 1587
PN 82181



Material:



Dimensions

Material index	d [mm]	D [mm]	s [mm]	m [mm]	Materials
I1509050A2D1587T	5	7.5	8.0	10.0	A2 (stainless steel)
I1509040A2D1587T	4	6.5	7.0	8.0	A2 (stainless steel)
I1509160A4D1587S	16	23.0	24.0	28.0	A4 (acids resistant steel)
I1509160A2D1587S	16	23.0	24.0	28.0	A2 (stainless steel)
I1509120A2D1587S	12	18.0	19.0	22.0	A2 (stainless steel)
I1509120A2BD986T	12	18.0	19.0	22.0	A2 (stainless steel)
I1509120A4D1587S	12	18.0	19.0	22.0	A4 (acids resistant steel)
I1509100A4D1587S	10	16.0	17.0	18.0	A4 (acids resistant steel)
I1509100A2D1587T	10	16.0	17.0	18.0	A2 (stainless steel)
I1509080A2D1587T	8	12.5	13.0	15.0	A2 (stainless steel)
I1509080A4D1587S	8	12.5	13.0	15.0	A4 (acids resistant steel)
I1509060A2D1587T	6	9.5	10.0	12.0	A2 (stainless steel)
I1509060A4D1587S	6	9.5	10.0	12.0	A4 (acids resistant steel)