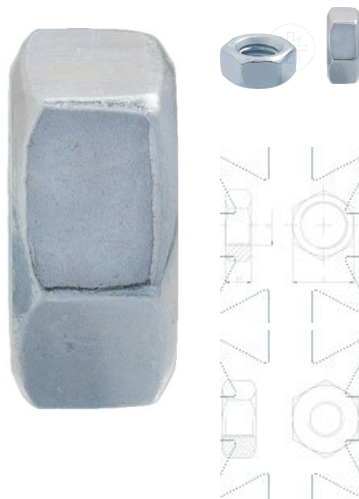


I15.01 Hexagon nut

N6K



Material:

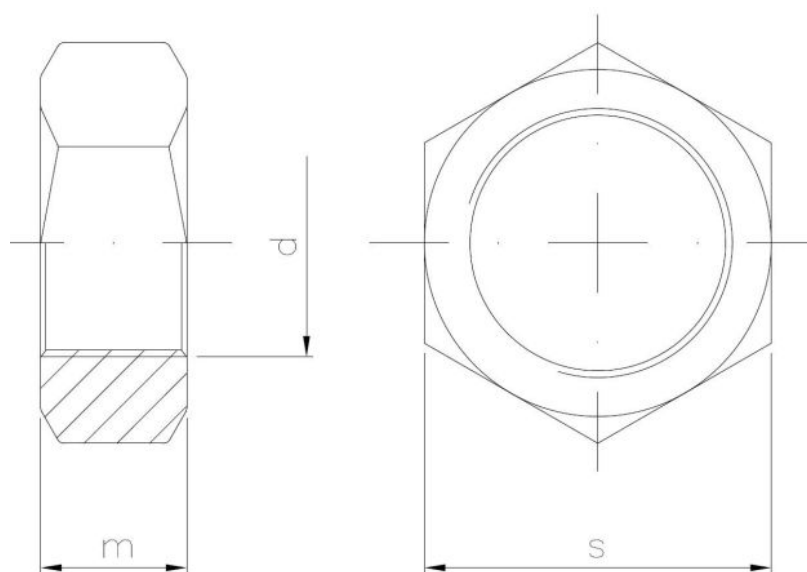
SEND THE INQUIRY

+48 58 55 40 410

Standards:

DIN 934
ISO 4032
PN-M 82114

A2 **A4**



Dimensions

Material index	d	s [mm]	m [mm]	Materials
I1501050A4D934T	M5	8.0	4.0	A4 (acids resistant steel)
I1501050A2D934T	M5	8.0	4.0	A2 (stainless steel)
I1501040A4D934T	M4	7.0	3.2	A4 (acids resistant steel)
I1501040A2D934T	M4	7.0	3.2	A2 (stainless steel)
I1501240A2D934S	M24	36.0	19.0	A2 (stainless steel)
I1501200A2D934S	M20	30.0	16.0	A2 (stainless steel)
I1501160A4D934S	M16	24.0	13.0	A4 (acids resistant steel)
I1501160A2D934T	M16	24.0	13.0	A2 (stainless steel)
I1501120A4D934S	M12	19.0	10.0	A4 (acids resistant steel)
I1501120A2D934T	M12	19.0	10.0	A2 (stainless steel)
I1501100A4D934S	M10	17.0	8.0	A4 (acids resistant steel)
I1501100A2D934T	M10	17.0	8.0	A2 (stainless steel)
I1501080A2D934T	M8	13.0	6.5	A2 (stainless steel)
I1501080A4D934T	M8	13.0	6.5	A4 (acids resistant steel)

Material index	d	s [mm]	m [mm]	Materials
I1501060A2D934T	M6	10.0	5.0	A2 (stainless steel)
I1501060A4D934T	M6	10.0	5.0	A4 (acids resistant steel)