

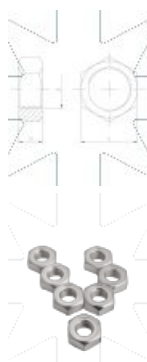
15.27 Fine thread hexagon nuts

SEND THE INQUIRY

+48 58 55 40 410

Standards:

DIN 934~



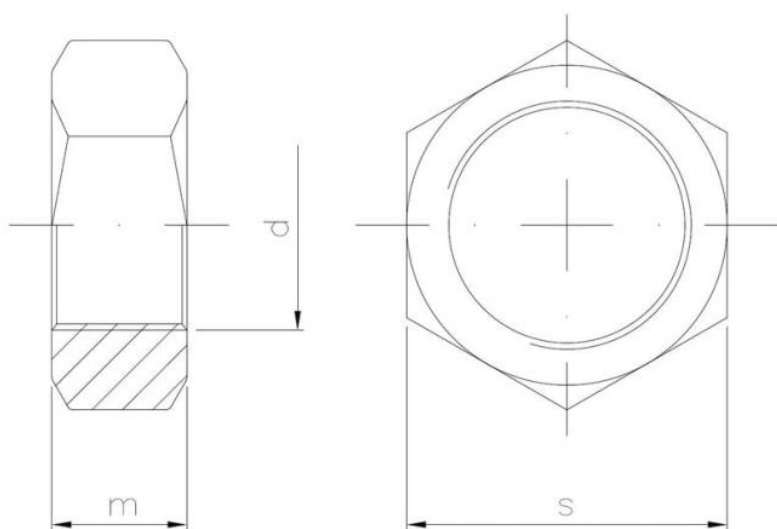
Coating (standard):



WHITE
ZINC
COATING



RAW
PRODUCT



Dimensions

| Material index | d | m [mm] | s [mm] | Mechanical properties class | Type of coating | Measure unit |
|--------------------|-----|--------|--------|-----------------------------|------------------------|--------------|
| 1527200150S10D934S | M20 | 16.0 | 30.0 | 10 | S (raw product) | PCS. |
| 1527200150B08D934K | M20 | 16.0 | 30.0 | 8 | B (White zinc coating) | KG |
| 1527160150S10D934S | M16 | 13.0 | 24.0 | 10 | S (raw product) | PCS. |
| 1527140150S10D934S | M14 | 11.0 | 22.0 | 10 | S (raw product) | PCS. |
| 1527120125S10D934S | M12 | 10.0 | 19.0 | 10 | S (raw product) | PCS. |
| 1527100125S10D934S | M10 | 8.0 | 17.0 | 10 | S (raw product) | PCS. |