



SEND THE INQUIRY

+48 58 55 40 410

### Standards:

DIN 6334~  
PN-M 82157  
ITB-KOT-2022/2118

Class (standard):

6

Coating (standard):

B

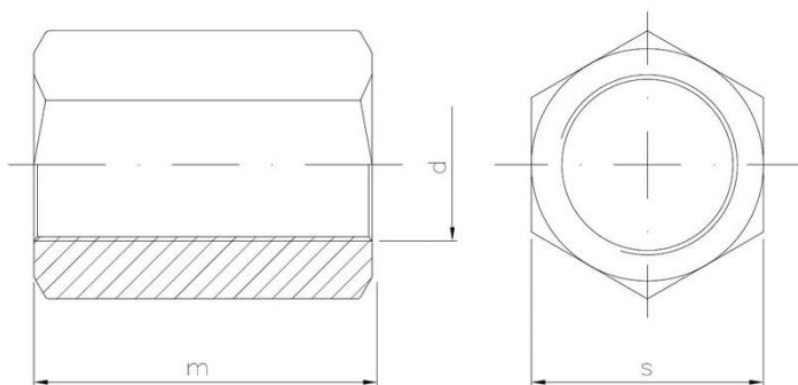
WHITE  
ZINC  
COATING

Coating (special order):

**A**  
YELLOW  
ZINC  
COATING

**C**  
BLACK  
ZINC  
COATING

**N**  
NICKEL  
COATING



### Dimensions

Material index	d	m [mm]	s [mm]	Mechanical properties class	Type of coating
1502050015BD6334T	M5	15.0	8.0	6	B (White zinc coating)
1502050025BD6334T	M5	25.0	8.0	6	B (White zinc coating)
1502060018BD6334T	M6	18.0	10.0	6	B (White zinc coating)
1502060040BD6334T	M6	40.0	10.0	6	B (White zinc coating)
1502080024BD6334T	M8	24.0	13.0	6	B (White zinc coating)
1502100030BD6334T	M10	30.0	17.0	6	B (White zinc coating)
1502120036BD6334T	M12	36.0	19.0	6	B (White zinc coating)
1502140042BD6334S	M14	42.0	22.0	6	B (White zinc coating)
1502160048BD6334S	M16	48.0	24.0	6	B (White zinc coating)
1502200060BD6334S	M20	60.0	30.0	6	B (White zinc coating)
1502240072BD6334S	M24	72.0	36.0	6	B (White zinc coating)